



Commercial Hardware

E4000 Series

STANDARD DUTY EXIT DEVICES



MAAX™ IS A TRADEMARK OF MAAX HARDWARE INC.

1-844-666-MAAX | www.maaxhardware.com
Ontario, Canada

- **QUALITY**
- **SECURITY**
- **AESTHETICS**

E4000 Series
Panic & Fire Exit Devices

TABLE OF CONTENTS

- Overview. 02
- Features and Certification. 03
- Applications and Listing. 04
- Application Details. 05
- Device Dimensions. 06
- Device Profile. 07
- RIM Device Specifications. 08
- SVR Device Specifications. 09
- 40E Escutcheon Trim. 10
- 40K Key-in-Lever Trim. 11
- 40P Pull Plate Trim. 12
- 40R Raised Lip Plate Trim. 12
- How to Order. 13
- Strikes. 14
- Dogging Options. 14
- SVR Assembly. 15
- Cylinder Options. 15

OVERVIEW

QUALITY:

- Complies with ANSI/BHMA A156.3, Grade-1
- Superior quality chassis and mechanical components
- Heavy duty touch pad mechanism
- Limited 5 years warranty

SECURITY:

- UL305 listed for panic hardware
- Offers high security features to discourage abuse and intrusion
- Exit trim lever is protected from damages by a clutch free wheeling design which provides vandal resistance

AESTHETICS:

- A wide range of trim designs and finishes to complement different architectural design applications

E4000 Exit Devices



MAAX E4000 Series Standard duty grade-1 Panic and Fire Exit Devices are designed to provide superior performance and security on emergency exits of light commercial applications including office buildings, retail stores, apartments, multi family buildings, hospitality and restaurants. With its high quality components, functions, trims and finishes, the E4000 Series combines durability with aesthetic design and flexibility at an economy price.

FEATURES

- Standard duty for commercial applications
- Easy-to-use pushpad for immediate egress
- Available in rim and surface vertical rod designs
- Non-Handed, field reversible and field sizeable
- Chassis mounted unit construction assures easy installation and maintenance
- High shock resistant latching mechanism protects from forced entry or vandalism
- Stainless steel latch automatically deadlocks when door is closed
- Thru-bolt design trim installation for high security and durability
- Accommodate various trim functions for flexibility
- Trims are available in escutcheon and rose designs
- Different lever designs and finishes
- Single point dogging feature on panic-listed devices

STANDARDS

- Complies with ANSI/BHMA A156.3, Grade-1
- UL305 listed for panic hardware
- UL10C positive pressure rated
- UL10B natural pressure rated
- Complies with ADA ANSI A117.1 for Accessible Buildings and Facilities



CROSS REFERENCE

MAAX	PRECISION	CORBIN RUSSWIN	DORMA	FALCON	HAGER	SARGENT	VON-DUPRIN	YALE
E4000	RELIANT 5000	ED8000	8000	20	4700	20	22	2100

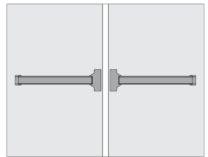
Note: Chart prepared by comparing functions of mortise locks based on data obtained from trade sources. It is not guaranteed nor represented that any specific product exactly equals any other product.

APPLICATIONS & LISTING

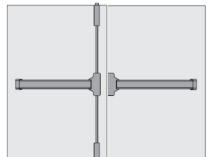
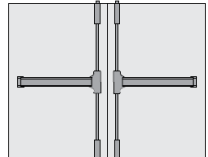
SINGLE DOOR	LISTING	MAXIMUM DOOR OPENING	APPLICATION
E4200 RIM	Panic Only	4' W X 10' H (1219mm W X 3048mmH)	Surface Applied, Single Point Latching
E4200F RIM	3 Hours	4' W X 8' H (1219mm W X 2438mmH)	



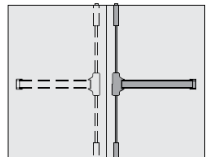
PAIR OF DOORS WITH REMOVABLE MULLION	LISTING	MAXIMUM DOOR OPENING	APPLICATION
E4200 RIM X RIM	Panic Only	8' W X 10' H (2438mm W X 3048mmH)	2 Independent Active Doors with Removable Mullion
E4200F RIM X RIM	3 Hours	8' W X 8' H (2438mm W X 2438mmH)	



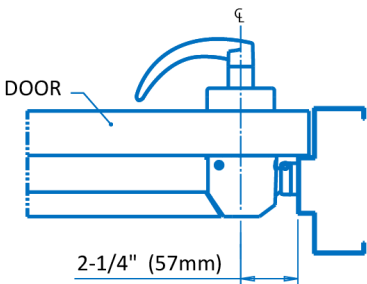
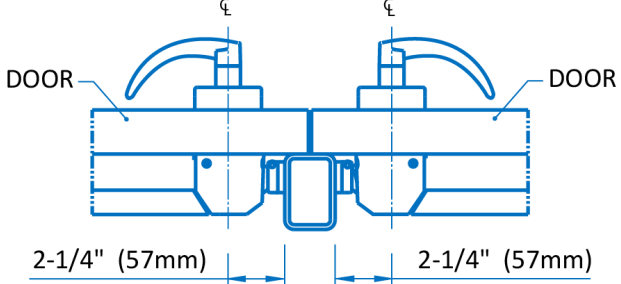
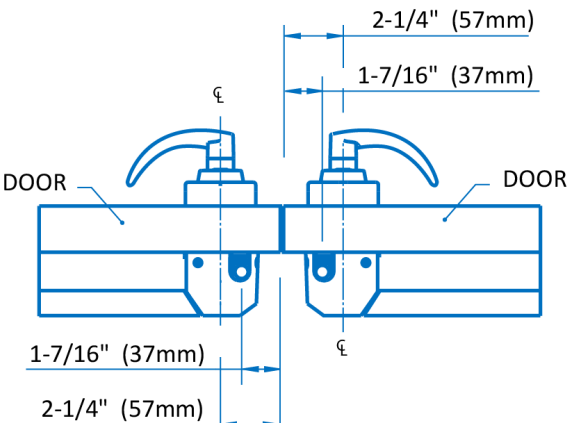
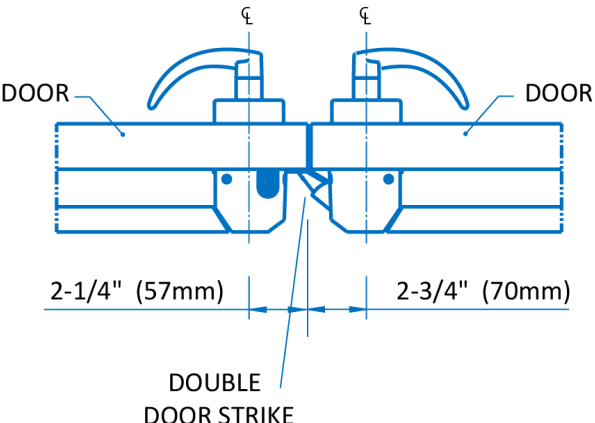
PAIR OF DOORS	LISTING	MAXIMUM DOOR OPENING	APPLICATION
E4300 SVR X E4300 SVR	Panic Only	8' W X 10' H (2438mm W X 3048mmH)	2 Independent Doors with 2 Points Latching Swinging in One Direction
E4300F SVR X E4300F SVR	1 1/2 Hours	8' W X 8' H (2438mm W X 2438mmH)	
E4200 RIM X E4300 SVR	Panic Only	8' W X 10' H (2438mm W X 3048mmH)	Pair of Door Strike Required on Inactive Door. Coordinator Recommended



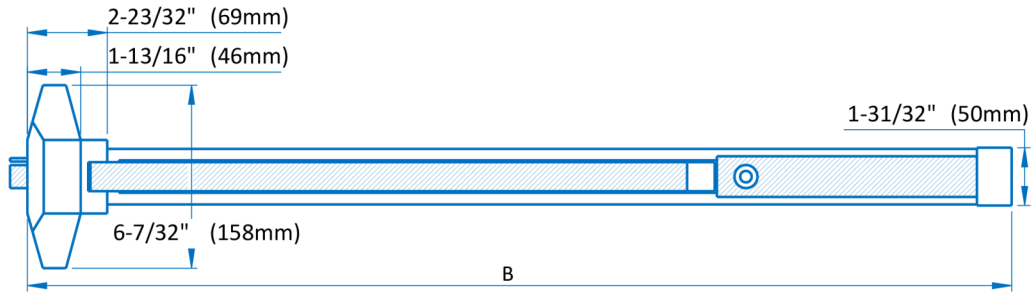
PAIR OF DOORS DOUBLE EGRESS	LISTING	MAXIMUM DOOR OPENING	APPLICATION
E4300 SVR X E4300 SVR	Panic Only	8' W X 10' H (2438mm W X 3048mmH)	2 Independent Doors with 2 Points Latching Swinging in Opposite Directions
E4300F SVR X E4300F SVR	1 1/2 Hours	8' W X 8' H (2438mm W X 2438mmH)	



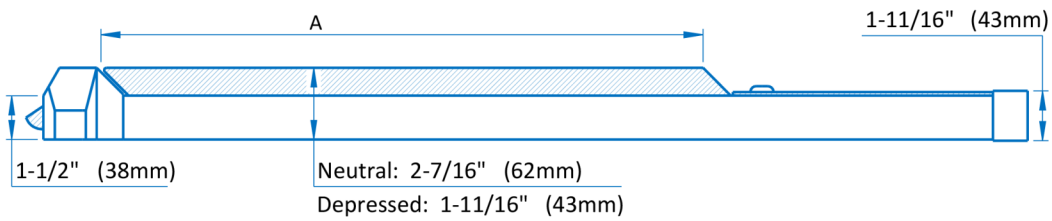
APPLICATION DETAILS

SINGLE DOOR - RIM	PAIR OF DOORS w/ MULLION - RIM X RIM
 <p>2-1/4" (57mm)</p>	 <p>2-1/4" (57mm) 2-1/4" (57mm)</p>
PAIR OF DOORS - SVR X SVR	PAIR OF DOORS - SVR X RIM
 <p>2-1/4" (57mm) 1-7/16" (37mm) 1-7/16" (37mm) 2-1/4" (57mm)</p>	 <p>2-1/4" (57mm) 2-3/4" (70mm)</p> <p>DOUBLE DOOR STRIKE</p>

DEVICE DIMENTIONS



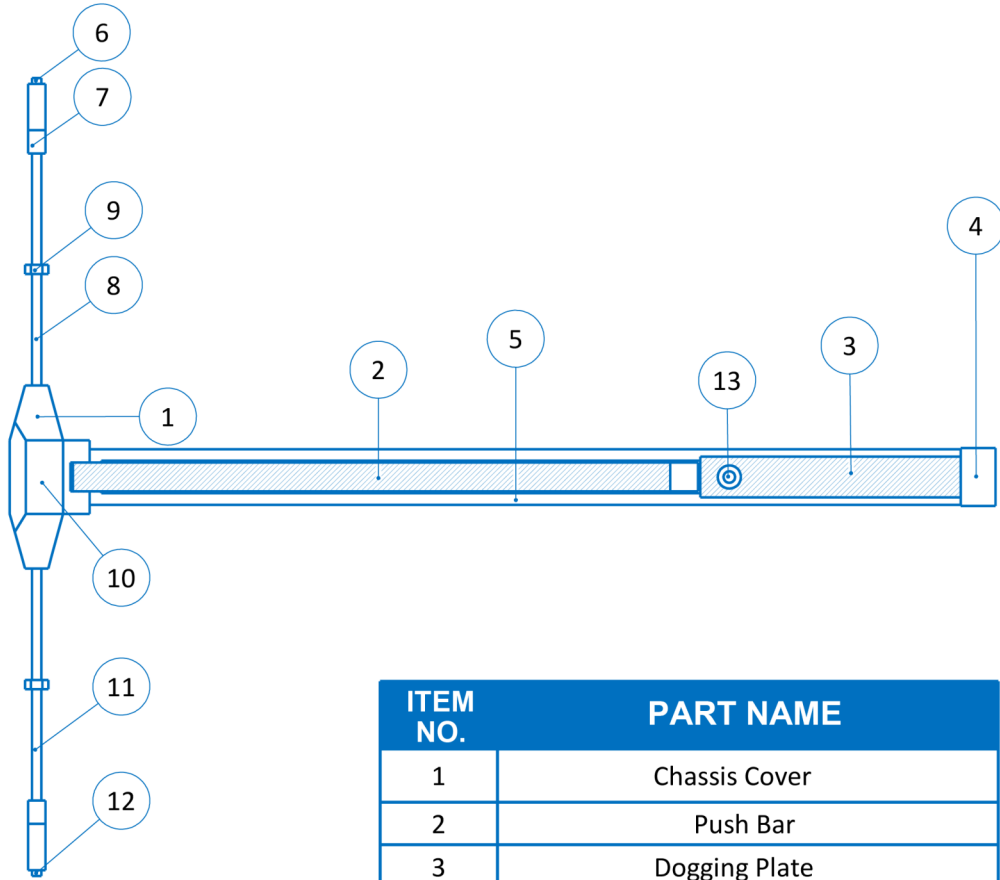
Top View - RIM



Side View - RIM

E4000 Series	A	B
E4200 / E4300 Panic - 36"	20-15/32" (520mm)	33-15/32" (850mm)
E4200F / E4300F Fire - 36"		
E4200 / E4300 Panic - 48"	25-3/16" (640mm)	44-3/4" (1137mm)
E4200F / E4300F Fire - 48"		

DEVICE PROFILE



Top View - SVR

ITEM NO.	PART NAME
1	Chassis Cover
2	Push Bar
3	Dogging Plate
4	End Cap
5	Mechanism Housing
6	Top Latch
7	Latch Assembly Cover
8	Top Vertical Rod
9	Rod Guide
10	Chassis
11	Bottom Vertical Rod
12	Bottom Latch
13	Hex Key Dogging *For E4200/E4300 Panic Device Only*

SPECIFICATIONS

HANDING:

- Non-handed, field reversible

DOOR THICKNESS:

- 1-3/4" (44.5 mm) - standard
- Specify door thickness if more than standard

DOOR WIDTH:

- 36" (914mm) field sizeable to 30" (762mm) door. (*device is 32" long, can be cut to 26"*)
- 48" (1219mm) field sizeable to 36" (914mm) door. (*device is 44" long, can be cut to 32"*)

PUSHPAD LENGTH:

- On 36" Door: 20" (508mm)
- On 48" Door: 24" (607mm)

PROJECTION:

- 2-7/16" (62mm) - neutral position
- 1-11/16" (43mm) - depressed pushpad position

STILE WIDTH:

- 4-1/2" (114mm) for single doors with 5/8" (16mm) stop
- 5" (127mm) for pair of doors with 2" (51mm) removable mullion

LATCHBOLT:

- 11/16" (17.5mm) throw, with auto deadlocking latch, stainless steel
- 9/16" (14.5mm) throw deadlocking latch, stainless steel

CHASSIS:

- Plated steel

MECHANICAL COMPONENTS:

- Steel or stainless steel

PUSHPAD:

- Steel or stainless steel

COVER TUBE:

- Steel or stainless steel

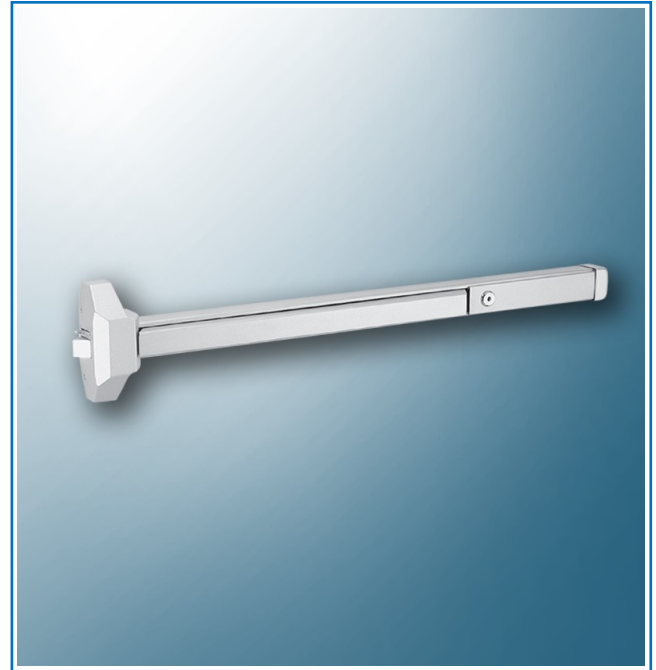
END CAP:

- Steel or stainless steel

DOGGING:

(on E4200 panic listed device only)

- Hex key dogging - standard
- Cylinder dogging - optional
- Less dogging - optional
- *Note: Dogging feature is NOT available with E4200F Fire exit device*



STRIKE:

- Stainless steel with plated pin and roller on E4200 panic listed devices
- Stainless steel on E4200F fire exit devices
- Strike is surface applied to frame stop with slotted holes for easy adjustment
- Optional RIM X SVR strike. Required for Rim panic device when used on pair of doors with surface vertical rod device

TRIMS AND FUNCTIONS:

- Thru-bolted trims available with a wide range of functions and designs:
 - 40E: Escutcheon trims
 - 40K: Sectional "Key-in-Lever" trims
 - 40P: Pull plate trims
 - 40R: Raised lip plate trims
- See "Trims" and "Functions" for details

FASTENERS:

- Wood and machine screws
- Thru-bolts
- Shim kit
- Sex nut bolts (SNB) for wood doors - optional

FINISHES:

- US3 (605) Bright brass clear coated, US32D (630) Satin stainless steel, US28 (689) Aluminum painted, US20 (690) Dark bronze painted

WARRANTY:

- Limited 5 years on hardware components

SPECIFICATIONS

HANDING:

- Non-handed, field reversible

DOOR THICKNESS:

- 1-3/4" (44.5 mm) - standard
- Specify door thickness if more than standard

DOOR WIDTH:

- 36" (914mm) field sizeable to 30" (762mm) door. (device is 32" long, can be cut to 26")
- 48" (1219mm) field sizeable to 36" (914mm) door. (device is 44" long, can be cut to 32")

PUSHPAD LENGTH:

- On 36" Door: 20" (508mm)
- On 48" Door: 24" (607mm)

PROJECTION:

- 2-7/16" (62mm) - neutral position
- 1-11/16" (43mm) - depressed pushpad position

STILE WIDTH:

- 4-1/2" (114mm) for single doors with 5/8" (16mm) stop
- 4" (102mm) for pair of doors
- 4-1/2" (114mm) for pair doors with SVR X RIM device and strike

LATCHBOLT:

- Top: 1/2" (13mm) throw, with auto deadlocking latch, stainless steel
- Bottom: 1/2" (13mm) throw held retracted during door swing, stainless steel

VERTICAL RODS:

- Tubular aluminum with rod guides
- 7' (2134mm) H door: standard on E4300 panic
- 8' (2438mm) H door: standard on E4300F fire
- 2' and 3' Extension rod kit: Optional on E4300 panic for doors over 7' H

CHASSIS:

- Plated steel

MECHANICAL COMPONENTS:

- Steel or stainless steel

PUSHPAD:

- Steel or stainless steel

COVER TUBE:

- Steel or stainless steel

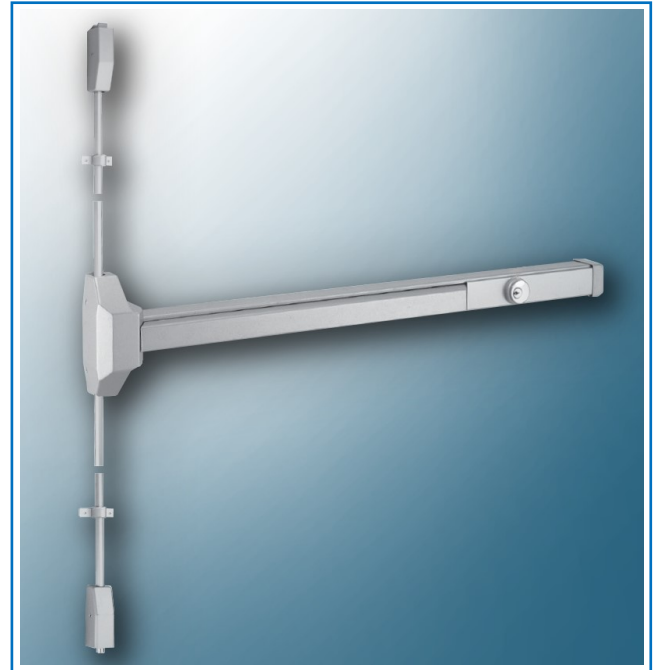
END CAP:

- Steel or stainless steel

DOGGING:

(on E4300 panic listed device only)

- Hex key dogging - standard
- Cylinder dogging - optional
- Less dogging - optional
- *Note: Dogging feature is NOT available with E4300F Fire exit device*



STRIKE:

- Stainless steel top strike on E4300 and E4300F devices, applied to surface of frame stop
- Stainless steel bottom strike on E4300 and E4300F devices, applied to surface of floor

TRIMS AND FUNCTIONS:

- Thru-bolted trims available with a wide range of functions and designs:
 - 40E: Escutcheon trims
 - 40K: Sectional "Key-in-Lever" trims
 - 40P: Pull plate trims
 - 40R: Raised lip plate trims
- See "Trims and Functions" for details

FASTENERS:

- Wood and machine screws
- Thru-bolts
- Shim kit
- Sex nut bolts (SNB) for wood doors - optional

FINISHES:

- US3 (605) Bright brass clear coated, US32D (630) Satin stainless steel, US28 (689) Aluminum painted, US20 (690) Dark bronze painted

WARRANTY:

- Limited 5 years on hardware components

40E - ESCUTCHEON TRIM

HANDING:

- Non-handed, field reversible

DOOR THICKNESS:

- 1-3/4" (44.5 mm) - standard
- Specify door thickness if more than standard

ESCUTCHEON SIZE:

- 2-5/8" (67mm) Width X 8-1/16" (205mm) Height X 29/32" (23mm) Thick

ESCUTCHEON MATERIAL:

- Steel or stainless steel

STRUCTURE:

- Anti-vandalism design protects lever from damages when locked
- Connected to the device chassis by 2 thru-bolts for high security and durability

LEVER MATERIAL:

- Zinc alloy

LEVER OPTIONS:

- ENTRADA (ED), SIENA (SN), CURVA (CV), and ANUBE (AB)

FUNCTIONS:

- 40EP - Passage
- 40ET - Entrance
- 40EN - Night latch (storeroom)
- 40EM - Dummy (for panic listed device only)

CYLINDERS:

- Mortise cylinder 1-1/4" on 40ET - Entrance
- Rim cylinder on 40EN - Night Latch
- Cylinder can be regular "conventional" core (RC) or interchangeable core (IC)
- Cylinders are not provided as standard. Specify cylinder type if required

FINISHES:

- US3 (605) Bright brass clear coated, US32D (630) Satin stainless steel, US28 (689) Aluminum painted, US20 (690) Dark bronze painted

WARRANTY:

- Limited 5 years on hardware components

40E - FUNCTIONS

**40EP
Escutcheon Passage**

- Lever always operable
- Cylinder: No cylinder
- ANSI Function: 14



**40ET
Escutcheon Entrance**

- Key locks and unlocks lever
- Cylinder: 1/4" mortise cylinder
- ANSI Function: 08



**40EN
Escutcheon Night Latch
(Storeroom)**

- Key retracts latchbolt (rigid lever)
- Cylinder: Rim cylinder
- ANSI Function: 09







**40EM
Escutcheon Dummy**

- Rigid lever (Panic device only)
- Cylinder: No cylinder
- ANSI Function: 02



40E - LEVER OPTIONS

			
ENTRADA (ED)	CURVA (CV)	SIENA (SN)	ANUBE (AB)

40K - KEY-IN-LEVER & ROSE TRIM

HANDING:

- Non-handed, field reversible

DOOR THICKNESS:

- 1-3/4" (44.5 mm) - standard
- Specify door thickness if more than standard

ROSE DIAMETER:

- 3-1/16" (78mm)

ROSE MATERIAL:

- Steel or stainless steel

STRUCTURE:

- Anti-vandalism design protects lever from damages when locked
- Connected to the device chassis by 2 thru-bolts for high security and durability

LEVER MATERIAL:

- Zinc alloy

LEVER OPTIONS:

- ENTRADA (ED), CURVA (CV), and RECTO (RT)

FUNCTIONS:

- 40KP - Passage
- 40KE - Entrance
- 40KN - Night latch (storeroom)
- 40KM - Dummy (for panic listed device only)

CYLINDERS:

- Key-in-Lever cylinder
- Cylinder can be regular "conventional" core (RC) or interchangeable core (IC)
- Cylinders are not provided as standard. Specify cylinder type if required

FINISHES:

- US3 (605) Bright brass clear coated, US32D (630) Satin stainless steel, US28 (689) Aluminum painted, US20 (690) Dark bronze painted

WARRANTY:

- Limited 5 years on hardware components

40K - FUNCTIONS

**40KP
Key-in Lever - Passage**

- Lever always operable
- Cylinder: No cylinder
- ANSI Function: 14



**40KE
Key-in-Lever - Entrance**

- Key locks and unlocks lever
- Cylinder: 1/4" mortise cylinder
- ANSI Function: 08



**40KN
Key-in-Lever - Night Latch (Storeroom)**

- Key retracts latchbolt (rigid lever)
- Cylinder: Rim cylinder
- ANSI Function: 09



**40KM
Key-in-Lever - Dummy**

- Rigid lever (Panic device only)
- Cylinder: No cylinder
- ANSI Function: 02



40K - LEVER OPTIONS



ENTRADA (ED)



CURVA (CV)



RECTO (RT)

40P - PULL PLATE TRIM**HANDING:**

- 40PS and 40PE: Handed. Specify when ordering
- 40PN and 40PM: Non-handed

DOOR THICKNESS:

- 1-3/4" (44.5 mm) - standard
- Specify door thickness if more than standard

PLATE SIZE:

- 40PS and 40PE: 3" (76mm) W X 14-11/16" (373mm) H X 3/32" (2mm) thick
- 40PN and 40PM: 3" (76mm) W X 11-13/16" (300mm) H X 3/32" (2mm) thick

PLATE MATERIAL:

- Steel or stainless steel

STRUCTURE:

- Connected to the device chassis by 2 thru-bolts for high security and durability

PULL HANDLE MATERIAL:

- Zinc alloy

FUNCTIONS:

- 40PS - Passage
- 40PE - Entrance
- 40PN - Night latch (storeroom)
- 40PM - Dummy (for panic listed device only)

CYLINDERS:

- Mortise cylinder 1-1/4" on 40PE - Entry
- Rim cylinder on 40PN - Night Latch
- Cylinder can be regular "conventional" core (RC) or interchangeable core (IC)
- Cylinders are not provided as standard. Specify cylinder type if required

FINISHES:

- US3 (605) bright brass clear coated, US32D (630) satin stainless steel, US28 (689) aluminum painted, US20 (690) Dark bronze painted

40R - RAISED LIP PLATE TRIM**PLATE SIZE:**

- 3" (76mm) W X 7-11/16" (196mm) H X 1/8" (3mm) thick X 1" (25mm) projection

PLATE MATERIAL:

- Steel or stainless steel

FUNCTIONS:

- 40RN - Night latch (storeroom)
- 40RM - Dummy (for panic listed device only)

CYLINDERS:

- Rim cylinder on 40RN - Night Latch

FINISHES:

- US3 (605) bright brass clear coated, US32D (630) satin stainless steel, US28 (689) aluminum painted, US20 (690) Dark bronze painted

40P - FUNCTIONS**40PS
Thumbpiece Pull Plate - Passage**

- Entrance by thumbpiece
- Thumbpiece always operable
- Cylinder: No cylinder
- ANSI Function: 15

**40PE
Thumbpiece Pull Plate - Entrance**

- Entrance by thumbpiece.
- Key locks and unlocks thumbpiece
- Cylinder: 1/4" mortise cylinder
- ANSI Function: 05

**40PN
Pull Plate - Night Latch
(Storeroom)**

- Key retracts latchbolt
- Cylinder: Rim cylinder
- ANSI Function: 03

**40PM
Pull Plate - Dummy**

- Pull when device is dogged down
- Cylinder: No cylinder
- ANSI Function: 02

**40R - FUNCTIONS****40RN
Raised Lip Plate -
Night Latch (Storeroom)**

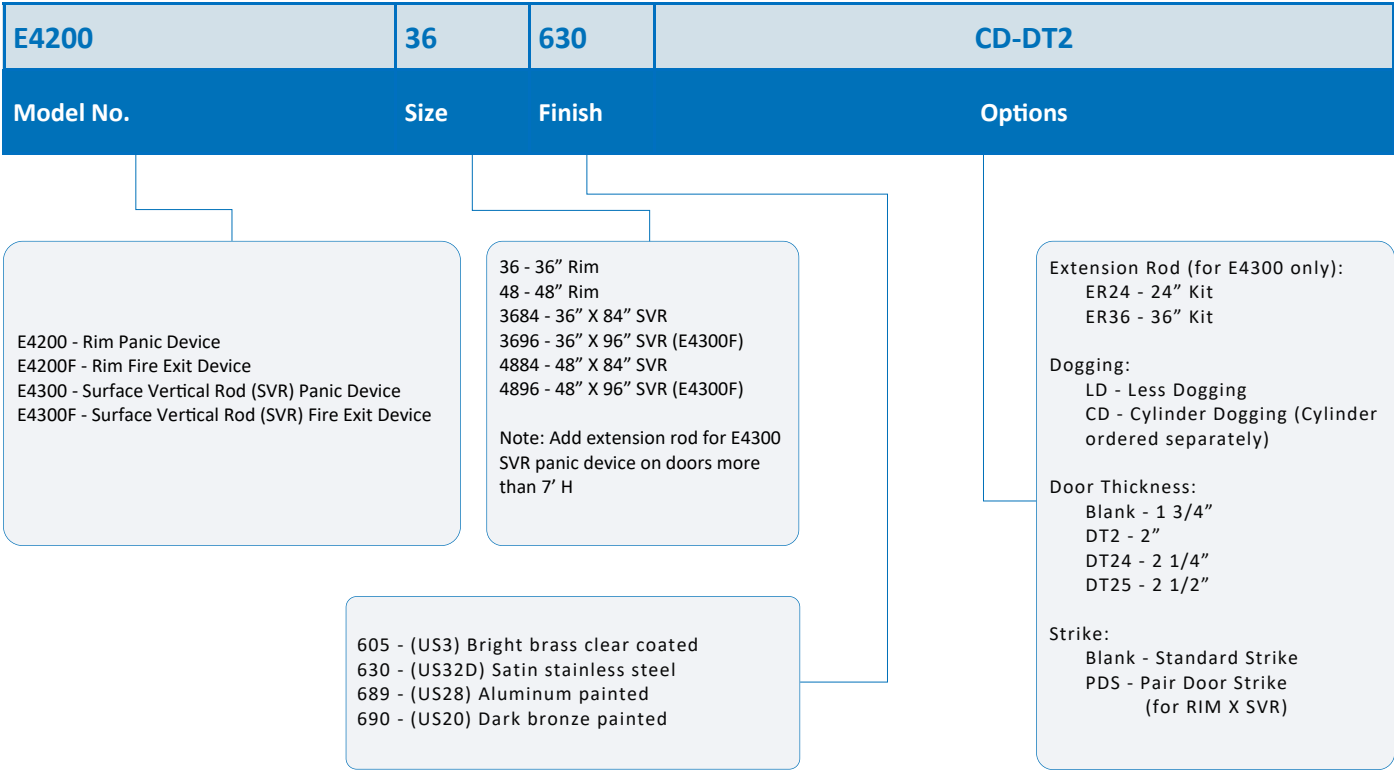
- Key retracts latchbolt
- Cylinder: Rim
- ANSI Function: 03

**40RM
Raised Lip Plate -
Dummy**

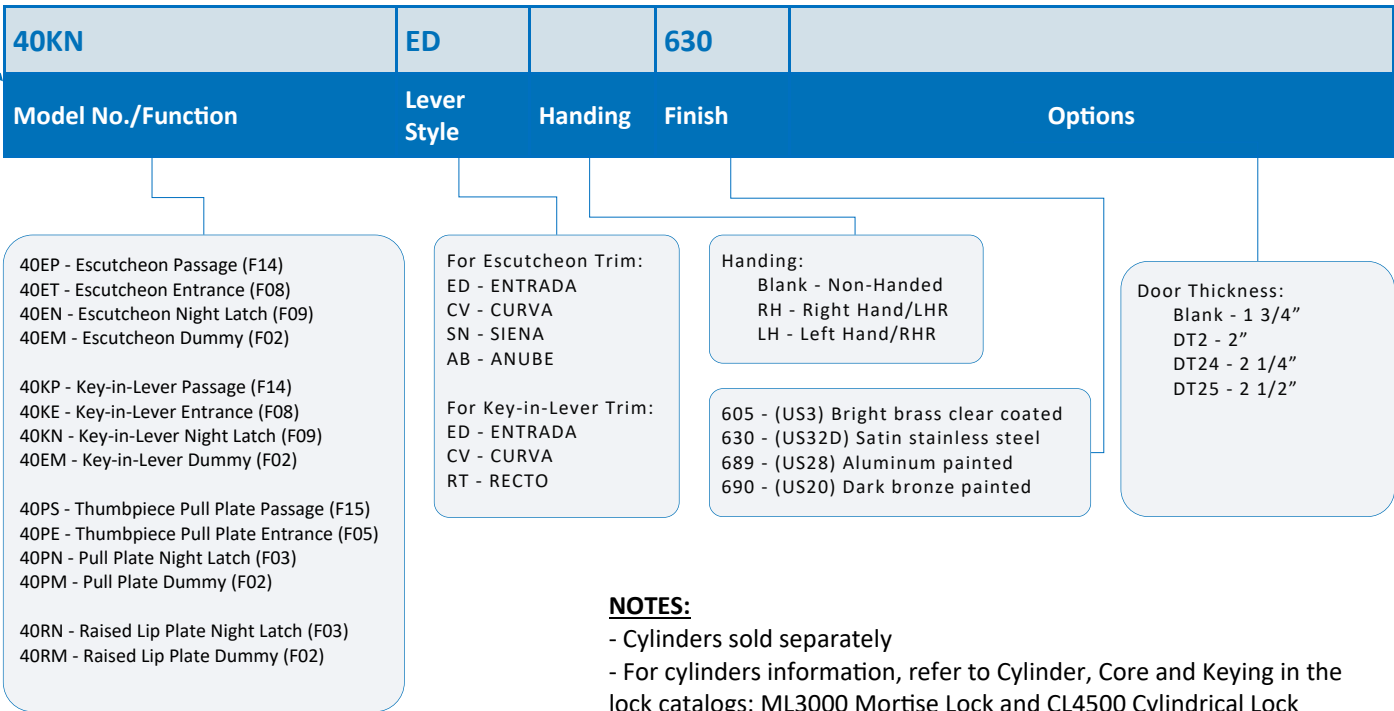
- Pull when device is dogged down
- Cylinder: No cylinder
- ANSI Function: 02



HOW TO ORDER EXIT DEVICE



HOW TO ORDER EXIT TRIM



NOTES:
 - Cylinders sold separately
 - For cylinders information, refer to Cylinder, Core and Keying in the lock catalogs: ML3000 Mortise Lock and CL4500 Cylindrical Lock

STRIKES

RIM STRIKES	SVR STRIKES
<p>Item No. 400401 Strike - Rim Panic Device</p> <ul style="list-style-type: none"> -Included standard with E4200 -For use with rim panic device -Finish: US32D 	<p>Item No. 400403 Top Strike - SVR</p> <ul style="list-style-type: none"> -Included standard with E4300/E4300F -For use with SVR panic device, and SVR fire exit device -Finish: US32D 
<p>Item No. 400402 Strike - Rim Fire Exit Device</p> <ul style="list-style-type: none"> -Included standard with E4200F -For use with rim fire exit device -Finish: US32D 	<p>Item No. 400404 Bottom Strike - SVR</p> <ul style="list-style-type: none"> -Included standard with E4300/E4300F -For use with SVR panic device, and SVR fire exit device -Finish: US32D 

PAIR DOOR STRIKE OPTION

<p>Item No. 400405 Strike - Pair door RIM X SVR</p> <ul style="list-style-type: none"> -Optional strike for E4200 RIM X E4300 SVR -Required for Rim device when used on pair of doors with surface vertical rod device -Finish: US32D 	
--	--





DOGGING OPTIONS

LESS DOGGING	CYLINDER DOGGING
<p>Less Dogging (LD)</p> <ul style="list-style-type: none"> -Optional for E4200/E4300 -Available for panic rated devices when user wants to remove the standard dogging feature 	<p>Cylinder Dogging (CD)</p> <ul style="list-style-type: none"> -Optional for E4200/E4300 -Available for panic rated devices to replace the standard hex key dogging with 1-1/4" mortise cylinder 

SVR ASSEMBLY

TOP LATCH ASSEMBLY	BOTTOM LATCH ASSEMBLY
<p>Item No. 400421 Top Latch Assembly - Panic -Included standard with E4300 -Top latch with cover and fasteners</p>  <p>Item No. 400422 Top Latch Assembly - Fire Exit -Included standard with E4300F -Top latch with cover and fasteners</p>	<p>Item No. 400423 Bottom Latch Assembly - Panic -Included standard with E4300 -Bottom latch with cover and fasteners</p>  <p>Item No. 400424 Bottom Latch Assembly - Fire Exit -Included standard with E4300F -Bottom latch with cover and fasteners</p>
2' EXTENSION ROD	3' EXTENSION ROD
<p>Item No. 400431 2' Extension Rod - Panic</p> <p>-Optional on E4300 panic for doors over 7' H -24" long, threaded on both ends. Complete with connector, rod guide and fasteners -Material: Aluminum -Finish: matches the device finish</p> 	<p>Item No. 400432 3' Extension Rod - Panic</p> <p>-Optional on E4300 panic for doors over 7' H -36" long, threaded on both ends. Complete with connector, rod guide and fasteners -Material: Aluminum -Finish: matches the device finish</p> 

CYLINDER OPTIONS

MORTISE CYLINDERS	RIM CYLINDERS
<p>Item No. 400411 Mortise Cylinder - Conventional</p> <p>-1-1/4" length, conventional core -Ordered separately -See cylinders and keying of ML3000 mortise lock for more information and options</p> 	<p>Item No. 400413 Rim Cylinder - Conventional</p> <p>-1-3/8" length, conventional core -Ordered separately -See cylinders and keying of ML3000 mortise lock for more information and options</p> 
<p>Item No. 400412 Mortise Cylinder - Interchangeable</p> <p>-1-3/8" length, small format SFIC core -Ordered separately -See cylinders and keying of ML3000 mortise lock for more information and options</p> 	<p>Item No. 400414 Rim Cylinder - Interchangeable</p> <p>-1-3/8" length, small format SFIC core -Ordered separately -See cylinders and keying of ML3000 mortise lock for more information and options</p> 



Commercial Hardware

E4000 Series
Standard Duty Exit Devices

MX-E4000-21
© 2021 MAAX HARDWARE INC.