



ROUND ROSE LEVER / MODEL 40K INSTALLATION INSTRUCTIONS (For Economy Exit Device use)

1. DRILL HOLE

- Drill one $\varnothing 2\text{-}1/8"$ (54mm) through hole as shown on the template.
- Drill two $\varnothing 5/16"$ (8.1mm) on outside face of door for anti-rotation studs use.

2. INSTALL TRIM

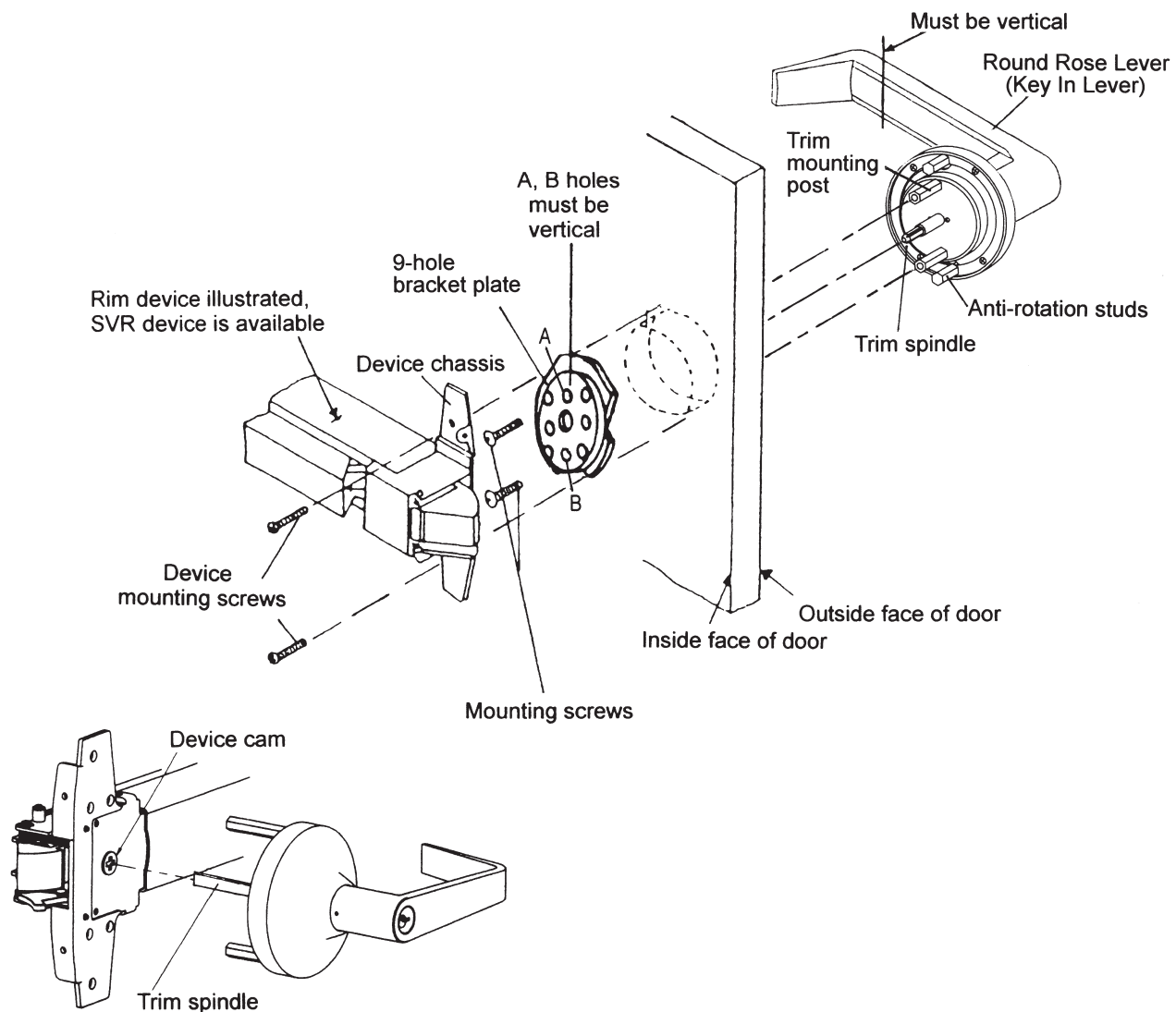
- Insert trim into the holes in door from outside of door.
- Place 9-hole bracket plate into the hole in inside face of door.

Note: Make sure the 9-hole bracket hole is seated in right angle when it is placed into the hole. The placed angle must match recessed back of exit device, and A, B two holes of 9-hole bracket plate must meet two mounting posts of the trim.

- Insert the supplied two mounting screws through 9-hole bracket plate into the mounting posts of the trim, then tighten the screws.

3. INSTALL EXIT DEVICE

- Install exit device on inside face of door using the supplied round head screws to the door. Details see exit device installation instructions. Make sure "trim spindle" has mated with the cam on the back of the exit device.
- Check if both exit device and trim secured in the position tightly and can be operated well.



Trim spindle must insert into device cam.