



Commercial Hardware

# ML3000 Series

Mortise Locksets



MAAX™ IS A TRADEMARK OF MAAX HARDWARE INC.

1-844-666-MAAX | [www.maaxhardware.com](http://www.maaxhardware.com)  
Ontario, Canada

- **QUALITY**
- **SECURITY**
- **AESTHETICS**

**ML3000**  
**Mortise Locksets**

**TABLE OF CONTENTS**

- Overview. . . . . 02
- Features and Certification. . . . . 03
- ML3000 (Mechanical)- Specifications. . . . . 04
- ML3000 (Mechanical)- Illustration. . . . . 05
- ML3000 (Mechanical)- Functions. . . . . 06-09
- ML3000 (Mechanical)- How to Order. . . . . 10
- ML3000 (Electrified)- Specifications. . . . . 11
- ML3000 (Electrified)- Functions. . . . . 12
- ML3000 (Electrified)- How to Order. . . . . 13
- ML3000- Dimensions. . . . . 14
- ML3000- Strikes. . . . . 14
- ML3000- Trims / Sectional (S). . . . . 15
- ML3000- Trims / Escutcheon, Wide (E). . . . . 16
- ML3000- Trims / Escutcheon, Narrow (N). . . . . 17
- HL30- Push-Pull Hardware. . . . . 18-19
- ML300 Small Deadbolts Specifications. . . . . 20
- ML300 Small Deadbolts Functions. . . . . 21
- ML300 Small Deadbolts- How to Order. . . . . 21
- Cylinders, Cores, and Keyways. . . . . 22-23

**OVERVIEW**

**QUALITY:**

- BHMA certified, Grade-1 for operation
- Heavy duty mortise chassis
- Heavy duty spring provides long life and reduces lever sag
- Limited 15 years warranty on mechanical components

**SECURITY:**

- BHMA certified, Grade-1 for security
- Offers high security features to discourage abuse and intrusion
- Lever is protected from damages by a clutch free wheeling design which provides vandal resistance

**AESTHETICS:**

- A wide range of trim designs and finishes to complement different architectural design applications

# ML3000 Mortise Locksets



MAAX ML3000 Series heavy duty grade-1 mortise locksets are designed to meet the rigors of high-traffic and high-abuse applications and provide superior security. With its super quality components and wide array of functions, trims and finishes, ML3000 lock combines ultimate durability with aesthetic design and flexibility; making it the ideal choice for use in hospitals, schools, hotels, office buildings, retail shops and many other high traffic applications.

## FEATURES

- Heavy duty for commercial, industrial, and institutional applications
- Non-Handed, field reversible lock body
- Concealed Thru-Bolts for proper alignment and easy installation
- Concealed mounting screws
- Stainless steel anti-friction latch provides security and durability
- Clutch free-wheeling design to protect the locked external lever from damages where excessive pressure or abusive force might be applied
- Accepts conventional mortise cylinder (standard), SFIC small format interchangeable core, and LFIC large format interchangeable core
- A wide variety of functions and the most popular finishes

## STANDARDS

- UL/cUL listed for A label - 3 hours fire rating
- Meets UL 10C and UBC 7-2 (1997) positive pressure requirements
- BHMA certified ANSI/BHMA A156.13, Series 1000, Grade-1, Operational and Security
- Meets ADA ANSI A117.1 Accessibility code requirements



## CROSS REFERENCE

MAAX	BEST	CORBIN RUSSWIN	DORMA	FALCON	HAGER	SARGENT	SCHLAGE	YALE
ML3000	40H	ML2000	M9000	MA	3800	9200	L	8800

**Note:** Chart prepared by comparing functions of mortise locks based on data obtained from trade sources. It is not guaranteed nor represented that any specific product exactly equals any other product.

## SPECIFICATIONS

## SPACING:

- 3-7/8" (98 mm) center of spindle to center of cylinder
- 2-11/16" (68.5 mm) center of spindle to center of thumbturn

## DOOR THICKNESS:

- 1-3/4" (44.5 mm) - standard
- Must specify door thickness if greater than 1-3/4" (44.5 mm) up to 2-1/2" (63.5 mm)

## HANDING:

- Right hand is standard, easily field reversible

## LOCK CASE:

- 4" (102 mm) X 6-1/32" (153 mm) X 15/16" (24 mm) heavy wrought steel, zinc dichromate plated

## ARMORED FACEPLATE:

- 1-7/32" (31.3 mm) X 8" (203 mm) stainless steel or brass, ANSI A115.1

## BACKSET:

- 2-3/4" (70 mm)

## LATCHBOLT:

- 3/4" (19 mm) throw, solid stainless steel with anti-friction tongue. Reversible without opening lock case

## DEADBOLT:

- 1" (25 mm) throw, stainless steel

## AUXILIARY LATCH:

- Stainless steel, non-handed

## TOGGLE BUTTON:

- High rust resistant chrome plated zinc alloy

## EXPOSED TRIM:

- Cast zinc, forged brass, and wrought stainless steel (see trims)

## TRIM (SECTIONAL):

- Rose: 2-7/16" (62 mm) dia.

## TRIM (ESCUTCHEON):

- Wide (E): 2-9/16" (65 mm) X 8" (203 mm)
- Narrow (N): 1-27/32" (46.5 mm) X 8" (203 mm)

## CYLINDER AND KEYWAYS:

- Conventional 6-pin solid brass, Schlage "C" keyway, keyed different - standard
- Other keying options available from factory, including 6 & 7-pin SFIC small format interchangeable cores, LFIC large format interchangeable cores, and other brands keyway options

## KEYS:

- Two brass keys per lock

## KEYING:

- Can be master keyed (MK), grand master keyed (GMK) and great grand master keyed (GGMK)



## STRIKE:

- 1-1/4" (32 mm) X 4-27/32" (123 mm) X 1-1/4" (32 mm) lip to center, stainless steel or brass, ANSI A115.1 with plastic strike box

## FASTENERS:

- Thru-bolt mounted trim (no exposed screws)

## FUNCTIONS:

- Variety of functions including, but not limited to, Passage, Dummy, Office, Entry, Apartment, Classroom, Storeroom, Privacy and Dormitory
- See Functions for detailed list

## LEVER OPTIONS:

- ENTRADA (ED), SIENA (SN), CURVA (CV), ANUBE (AB), OLECTRA (OR), BARLETA (BT)
- See Trims for details

## FINISHES:

- US3 (605) Bright brass clear coated
- US4 (606) Satin brass, clear coated
- US10 (612) Satin bronze, clear coated
- US10B (613) Dark satin bronze, clear coated
- US26 (625) Bright chromium plated
- US26D (626) Satin chromium plated
- US32 (629) Bright stainless steel
- US32D (630) Satin stainless steel

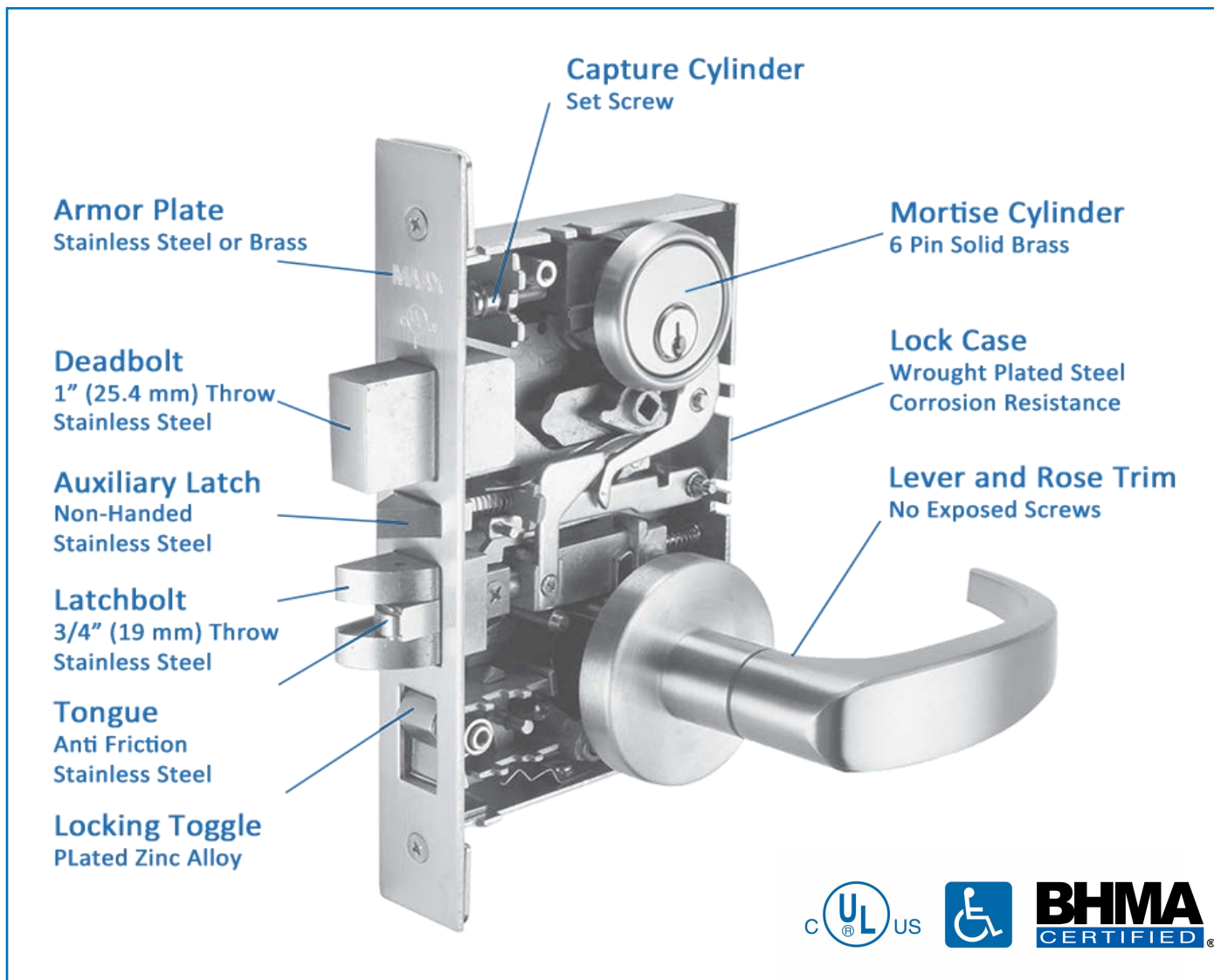
## OPTIONS:

- Lead lining
- ADA thumbturn
- Tactile warning

## WARRANTY:

- Limited 15 years on hardware components

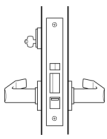
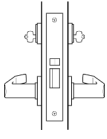
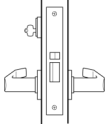
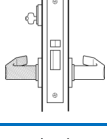
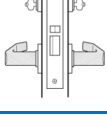
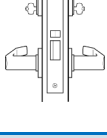
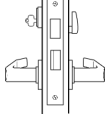
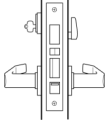
**ILLUSTRATION**



**FINISH OPTIONS**

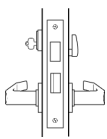
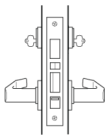
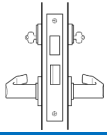
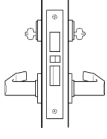
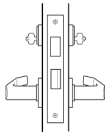
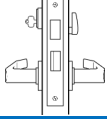
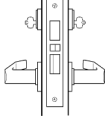
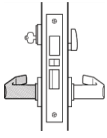
Finish Options								
Color	Bright Brass	Satin Brass	Satin Bronze	Oil rubbed Bronze	Bright Chrome	Satin Chrome	Bright Stainless Steel	Satin Stainless Steel
ANSI/BHMA Number	605	606	612	613	625	626	629	630
US Number	US3	US4	US10	US10B	US26	US26D	US32	US32D

FUNCTIONS

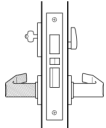
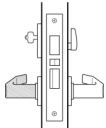
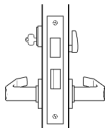
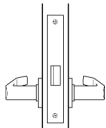
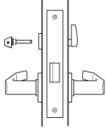
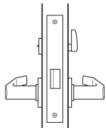
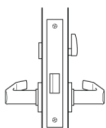
Function	Model No.	ANSI	Function Description	
<b>KEYED WITHOUT DEADBOLT</b>				
	Office/Entry	ML3050	F04	<ul style="list-style-type: none"> <li>Latchbolt retracted by key when outside is locked by locking toggle.</li> <li>Latchbolt retracted by lever from either side unless outside lever is locked by locking toggle. Latchbolt retracted by inside lever and outside lever remains locked.</li> <li>Auxiliary latch deadlocks latchbolt.</li> <li>Inside lever always free for immediate egress.</li> </ul>
	Apartment Entrance	ML3060	F09	<ul style="list-style-type: none"> <li>Latchbolt retracted by lever either side unless outside lever is locked by key inside.</li> <li>Latchbolt retracted by key outside when outside lever is locked.</li> <li>Key inside locks and unlocks outside lever.</li> <li>Auxiliary latch deadlocks latchbolt.</li> <li>Inside lever always free for immediate egress.</li> </ul>
	Classroom	ML3070	F05	<ul style="list-style-type: none"> <li>Latchbolt retracted by lever either side unless outside lever is locked by key.</li> <li>Latchbolt retracted by key outside when outside lever is locked.</li> <li>Outside lever remains locked unless unlocked by key.</li> <li>Auxiliary latch deadlocks latchbolt.</li> <li>Inside lever always free for immediate egress.</li> </ul>
	Storeroom	ML3080	F07	<ul style="list-style-type: none"> <li>Latchbolt retracted by key outside or by lever inside.</li> <li>Outside lever always inoperative.</li> <li>Auxiliary latch deadlocks latchbolt when door is closed.</li> <li>Inside lever always free for immediate egress.</li> </ul>
	Asylum/ Institution	ML3082	F30	<ul style="list-style-type: none"> <li>Latchbolt retracted by key either side.</li> <li>Lever on both sides always inoperative.</li> <li>Auxiliary latch deadlocks latchbolt.</li> </ul> <p>Note: This function does not allow for free egress. Must be used in accordance with approved codes only.</p>
	Classroom Security Intruder	ML3369	F32	<ul style="list-style-type: none"> <li>Latchbolt retracted by lever either side unless outside lever is locked by key either side.</li> <li>Latchbolt retracted by key when outside lever is locked.</li> <li>Outside lever remains locked unless unlocked by key either side.</li> <li>Auxiliary latch deadlocks latchbolt.</li> <li>Inside lever always free for immediate egress.</li> </ul>
<b>KEYED WITH DEADBOLT</b>				
	Office w/ Automatic Unlocking	ML3056	---	<ul style="list-style-type: none"> <li>Latchbolt retracted by lever either side unless outside lever is locked by key or by projection of deadbolt.</li> <li>Lever outside unlocked by key outside or by thumbturn inside.</li> <li>When locked, lever inside simultaneously retracts latchbolt and deadbolt and unlocks outside lever.</li> <li>Auxiliary latch deadlocks latchbolt.</li> <li>Inside lever always free for immediate egress.</li> </ul>
	Apartment Entry w/ Deadbolt	ML3352	F20	<ul style="list-style-type: none"> <li>Latchbolt retracted by lever either side unless outside lever is locked by locking toggle or by projection of deadbolt.</li> <li>Deadbolt projected or retracted by key outside or by thumbturn inside.</li> <li>When locked, lever inside simultaneously retracts latchbolt and deadbolt; outside lever remains locked.</li> <li>Auxiliary latch deadlocks latchbolt.</li> <li>Inside lever always free for immediate egress.</li> </ul>



**FUNCTIONS (CONTINUED)**

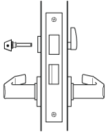
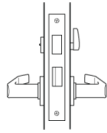
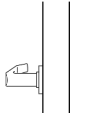
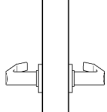
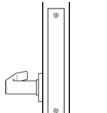
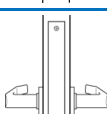
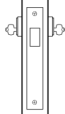
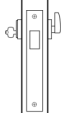
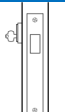
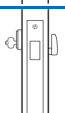
Function	Model No.	ANSI	Function Description	
<b>KEYED WITH DEADBOLT (Continued)</b>				
	Corridor w/ Deadbolt	ML3356	F13	<ul style="list-style-type: none"> <li>Latchbolt retracted by lever from either side.</li> <li>Deadbolt projected or retracted by key outside or by thumbturn rotation.</li> <li>Throwing deadbolt locks outside lever.</li> <li>When locked, lever inside simultaneously retracts latchbolt and deadbolt and unlocks outside lever. Inside lever always free for immediate egress.</li> </ul>
	Dormitory w/Deadbolt	ML3357	F11	<ul style="list-style-type: none"> <li>Latchbolt retracted by lever either side unless outside lever is locked by locking toggle or by projection of deadbolt.</li> <li>Deadbolt projected by key either side.</li> <li>Latchbolt and deadbolt retracted by outside key when outside lever is locked.</li> <li>Lever outside unlocked by locking toggle.</li> <li>When locked, lever inside simultaneously retracts latchbolt and deadbolt; outside lever remains locked. Inside lever always free for immediate egress.</li> </ul>
	Store/Utility Room w/ Deadbolt	ML3366	F14	<ul style="list-style-type: none"> <li>Latchbolt retracted by lever from either side.</li> <li>Deadbolt projected or retracted by key either side.</li> <li>When deadbolt projected, both outside and inside levers are locked.</li> <li>No simultaneous deadbolt and latchbolt retraction.</li> </ul>
	Classroom Security w/ Deadbolt	ML3367	F34	<ul style="list-style-type: none"> <li>Latchbolt retracted by lever from either side.</li> <li>Deadbolt projected or retracted by key either side.</li> <li>Throwing deadbolt locks outside lever.</li> <li>When locked, lever inside simultaneously retracts latchbolt and deadbolt and unlocks outside lever.</li> <li>Auxiliary latch deadlocks latchbolt.</li> <li>Inside lever always free for immediate egress.</li> </ul>
	Classroom Security w/ Deadbolt	ML3368	F33	<ul style="list-style-type: none"> <li>Latchbolt retracted by lever from either side.</li> <li>Deadbolt projected or retracted by key either side.</li> <li>Throwing deadbolt locks outside lever.</li> <li>When locked, lever inside simultaneously retracts latchbolt and deadbolt and unlocks outside lever.</li> <li>Inside lever always free for immediate egress.</li> </ul>
	Dormitory w/Deadbolt	ML3373	F21	<ul style="list-style-type: none"> <li>Latchbolt retracted by lever from either side.</li> <li>Deadbolt projected or retracted by key outside or by thumbturn rotation.</li> <li>When deadbolt projected, both outside and inside levers are locked.</li> <li>No simultaneous deadbolt and latchbolt retraction.</li> </ul>
	Classroom Intruder w/ Deadbolt	ML3374	---	<ul style="list-style-type: none"> <li>Latchbolt retracted by lever from either side.</li> <li>Deadbolt projected or retracted by key either side.</li> <li>Throwing deadbolt locks outside lever.</li> <li>When locked, lever inside simultaneously retracts latchbolt and deadbolt; outside lever remains locked.</li> <li>Auxiliary latch deadlocks latchbolt.</li> <li>Inside lever always free for immediate egress.</li> </ul>
	Storeroom w/Deadbolt	ML3380	---	<ul style="list-style-type: none"> <li>Latchbolt retracted by key outside or by lever inside.</li> <li>Outside lever always inoperative.</li> <li>Deadbolt projected or retracted by key outside or by thumbturn inside.</li> <li>When locked, lever inside simultaneously retracts latchbolt and deadbolt.</li> <li>Auxiliary latch deadlocks latchbolt.</li> <li>Inside lever always free for immediate egress.</li> </ul>

FUNCTIONS (CONTINUED)

Function	Model No.	ANSI	Function Description	
<b>KEYED WITH DEADBOLT (Continued)</b>				
	Hotel Guest Room w/ Deadbolt	ML3385	F15	<ul style="list-style-type: none"> <li>Latchbolt retracted by key outside or lever inside.</li> <li>Outside lever always inoperative.</li> <li>Deadbolt retracted by thumbturn inside or by emergency key outside.</li> <li>When deadbolt projected, key outside is inoperative except emergency key.</li> <li>When locked, lever inside simultaneously retracts latchbolt and deadbolt.</li> <li>Auxiliary latch deadlocks latchbolt.</li> <li>Inside lever always free for immediate egress.</li> </ul>
	Hotel Guest Room w/ Deadbolt & Indicator	ML3386	---	<ul style="list-style-type: none"> <li>Latchbolt retracted by key outside or lever inside.</li> <li>Outside lever always inoperative.</li> <li>Deadbolt retracted by thumbturn inside or by emergency key outside.</li> <li>When deadbolt projected, key outside is inoperative except emergency key.</li> <li>When locked, lever inside simultaneously retracts latchbolt and deadbolt.</li> <li>Auxiliary latch deadlocks latchbolt.</li> <li>Indicator message reads "OCCUPIED"/"VACANT" or "SECURED"/"UNSECURED".</li> <li>Inside lever always free for immediate egress.</li> </ul>
	Privacy w/ Deadbolt & Indicator	ML3396	---	<ul style="list-style-type: none"> <li>Latchbolt projected and retracted lever either side.</li> <li>Deadbolt retracted by key outside or by lever inside.</li> <li>Key required in the event of emergency.</li> <li>Throwing deadbolt locks outside trim, deadlocks latch, and displays "OCCUPIED" message.</li> <li>When locked, lever inside simultaneously retracts latchbolt and deadbolt and unlocks outside trim.</li> <li>Inside lever always free for immediate egress.</li> </ul>
<b>NON-KEYED WITHOUT DEADBOLT</b>				
	Passage/ Closet	ML3010	F01	<ul style="list-style-type: none"> <li>Latchbolt retracted by lever either side at all times.</li> <li>Inside lever always free for immediate egress.</li> </ul>
	Privacy, Bath/ Bedroom	ML3040	F22	<ul style="list-style-type: none"> <li>Latchbolt retracted by lever either side except when outside lever is locked by thumbturn inside.</li> <li>Actuating lever inside or closing door unlocks outside lever.</li> <li>Actuating outside emergency release unlocks outside lever.</li> <li>Inside lever always free for immediate egress.</li> </ul>
	Privacy w/ Coin Turn Outside	ML3042	---	<ul style="list-style-type: none"> <li>Latchbolt retracted by lever either side except when outside lever is locked by thumbturn inside or by coin turn outside.</li> <li>Actuating lever inside or closing door unlocks outside lever.</li> <li>Rotating coin turn outside unlocks outside lever.</li> <li>Inside lever always free for immediate egress.</li> </ul>
	Privacy w/ Indicator	ML3046	---	<ul style="list-style-type: none"> <li>Latchbolt retracted by lever either side except when outside lever is locked by thumbturn inside.</li> <li>Actuating lever inside or closing door unlocks outside lever.</li> <li>Rotating coin turn outside unlocks outside lever.</li> <li>When outside lever is locked, "OCCUPIED" message is displayed.</li> <li>Inside lever always free for immediate egress.</li> </ul>



**FUNCTIONS (CONTINUED)**

Function	Model No.	ANSI	Function Description	
<b>NON-KEYED WITH DEADBOLT</b>				
	Privacy w/ Deadbolt	ML3340	F19	<ul style="list-style-type: none"> <li>▪ Latchbolt retracted by lever either side.</li> <li>▪ Throwing deadbolt by thumbturn locks outside lever.</li> <li>▪ Deadbolt retracted by thumbturn inside or by emergency release outside.</li> <li>▪ When locked, inside lever simultaneously retracts latchbolt and deadbolt and unlocks outside lever. Inside lever always free for immediate egress.</li> </ul>
	Privacy w/ Deadbolt & Coin Turn Outside	ML3342	---	<ul style="list-style-type: none"> <li>▪ Latchbolt retracted by lever either side.</li> <li>▪ Throwing deadbolt by thumbturn locks outside lever.</li> <li>▪ Deadbolt retracted by thumbturn inside or by coin turn outside.</li> <li>▪ When locked, inside lever simultaneously retracts latchbolt and deadbolt and unlocks outside lever. Inside lever always free for immediate egress.</li> </ul>
<b>NON-KEYED DUMMY</b>				
	Half Dummy Trim	ML3001	---	<ul style="list-style-type: none"> <li>▪ Lever on one side.</li> <li>▪ Used as pull or matching trim on pair of doors.</li> <li>▪ Lever is always rigid.</li> </ul>
	Full Dummy Trim	ML3002	---	<ul style="list-style-type: none"> <li>▪ Lever on both sides.</li> <li>▪ Used as pull or matching trim on pair of doors.</li> <li>▪ Levers are always rigid.</li> </ul>
	Half Dummy Trim w/Lockcase	ML3003	---	<ul style="list-style-type: none"> <li>▪ Lever on one side.</li> <li>▪ Used as pull or matching trim on pair of doors.</li> <li>▪ Lever is always rigid.</li> <li>▪ Includes lock case and blank armor faceplate.</li> </ul>
	Full Dummy Trim w/Lockcase	ML3304	---	<ul style="list-style-type: none"> <li>▪ Lever on both sides.</li> <li>▪ Used as pull or matching trim on pair of doors.</li> <li>▪ Levers are always rigid.</li> <li>▪ Includes lock case and blank armor faceplate.</li> </ul>
<b>MORTISE DEADBOLT</b>				
	Cylinder X Cylinder Deadbolt	ML3360	F16	<ul style="list-style-type: none"> <li>▪ Deadbolt projected and retracted by key either side.</li> </ul>
	Cylinder X Thumbturn Deadbolt	ML3361	F17	<ul style="list-style-type: none"> <li>▪ Deadbolt projected and retracted by key outside or thumbturn inside.</li> </ul>
	Cylinder X Blank Deadbolt	ML3362	F18	<ul style="list-style-type: none"> <li>▪ Deadbolt projected and retracted by key outside.</li> <li>▪ No trim on opposite side.</li> </ul>
	Cylinder X Classroom Thumbturn	ML3364	F29	<ul style="list-style-type: none"> <li>▪ Deadbolt projected and retracted by key outside.</li> <li>▪ Thumbturn inside retracts deadbolt but cannot project it.</li> </ul>

HOW TO ORDER MORTISE LOCKS

ML3070	S	ED	US32D			SCC	KD		
Model No./Function	Trim Design	Trim Style	Finish	Handing	Cylinder	Keyway	Keying	Options	
<p>ML3001 - Half Dummy Trim</p> <p>ML3002 - Full Dummy Trim</p> <p>ML3003 - Half Dummy Trim w/Lockcase</p> <p>ML3004 - Full Dummy Trim w/Lockcase</p> <p>ML3010 - Passage/Closet (F01)</p> <p>ML3040 - Privacy, Bath/Bedroom (F22)</p> <p>ML3042 - Privacy w/Coin Turn Outside</p> <p>ML3046 - Privacy w/Indicator</p> <p>ML3050 - Office/Entry (F04)</p> <p>ML3056 - Office w/Automatic Unlocking</p> <p>ML3060 - Apartment Entrance (F09)</p> <p>ML3070 - Classroom (F05)</p> <p>ML3080 - Storeroom/Closet (F07)</p> <p>ML3082 - Asylum/Institution (F30)</p> <p>ML3340 - Privacy w/Deadbolt (F19)</p> <p>ML3342 - Privacy w/Deadbolt &amp; Turn Coin</p> <p>ML3352 - Apartment Entry w/Deadbolt (F20)</p> <p>ML3356 - Corridor w/Deadbolt (F13)</p> <p>ML3357 - Dormitory w/Deadbolt (F11)</p> <p>ML3366 - Store/Utility Room w/Deadbolt (F14)</p> <p>ML3367 - Classroom Security w/Deadbolt (F34)</p> <p>ML3368 - Classroom Security w/Deadbolt (F33)</p> <p>ML3369 - Classroom Security Intruder Latch (F32)</p> <p>ML3373 - Dormitory w/Deadbolt (F21)</p> <p>ML3374 - Classroom Intruder w/Deadbolt</p> <p>ML3380 - Storeroom w/Deadbolt</p> <p>ML3385 - Hotel Guest Room w/Deadbolt (F15)</p> <p>ML3386 - Hotel Guest Room w/Deadbolt &amp; Indicator</p> <p>ML3396 - Privacy w/Deadbolt &amp; Indicator</p>	<p>S - SECTIONAL</p> <p>E - ESCUTCHEON, WIDE</p> <p>N - ESCUTCHEON, NARROW</p>	<p>ED - ENTRADA</p> <p>SN - SIENA</p> <p>CV - CURVA</p> <p>AB - ANUBE</p> <p>OR - OLECTRA</p> <p>BT - BARLETA</p>	<p>US3 - (605) Bright brass clear coated</p> <p>US4 - (606) Satin brass, clear coated</p> <p>US10 - (612) Satin bronze, clear coated</p> <p>US10B - (613) Dark satin bronze, oil rubbed finish</p> <p>US26 - (625) Bright chromium plated</p> <p>US26D - (626) Satin chromium plated</p> <p>US32 - (629) Bright stainless steel</p> <p>US32D - (630) Satin stainless steel</p>	<p>Blank - Right Hand (Default)*</p> <p>RHR - Right Hand Reverse</p> <p>LH - Left Hand</p> <p>LHR - Left Hand Reverse</p> <p>* Field Reversible</p>		<p>LED - Leadlined</p> <p>TW - Tactile warning</p> <p>Door thickness:</p> <p>Blank - 1 3/4"</p> <p>DT2 - 2"</p> <p>DT24 - 2 1/4"</p> <p>DT25 - 2 1/2"</p> <p>Strike:</p> <p>Blank - (ASA) with lip</p> <p>FLP - Flat 7/8"</p> <p>ADATH - ADA Thumbturn</p>	<p>KD - Keyed different (Default)</p> <p>Others - See Keying</p>	<p>SCC - Schlage "C" (Default)</p> <p>Others - See Keyways</p>	<p>Blank - Conventional (Default)</p> <p>L - Less Cylinder</p> <p>SF6 - 6 Pin SFIC w/core</p> <p>SF7 - 7 Pin SFIC w/core</p> <p>SF6L - 6 Pin SFIC less core</p> <p>SF7L - 7 Pin SFIC less core</p> <p>LF - Schlage compatible LFIC w/core</p> <p>LFL - Schlage compatible LFIC less core</p>

HOW TO ORDER MORTISE DEADBOLTS

ML3361	US32D	SCC	KD		
Model No./Function	Finish	Cylinder	Keyway	Keying	Options
<p>ML3360 - Cylinder X Cylinder Deadbolt (F16)</p> <p>ML3361 - Cylinder X Thumbturn Deadbolt (F17)</p> <p>ML3362 - Cylinder X Blank Deadbolt (F18)</p> <p>ML3364 - Cylinder X Classroom Thumbturn (F29) (Specify Handing)</p>	<p>US3 - (605) Bright brass clear coated</p> <p>US4 - (606) Satin brass, clear coated</p> <p>US10 - (612) Satin bronze, clear coated</p> <p>US10B - (613) Dark satin bronze, oil rubbed finish</p> <p>US26 - (625) Bright chromium plated</p> <p>US26D - (626) Satin chromium plated</p> <p>US32 - (629) Bright stainless steel</p> <p>US32D - (630) Satin stainless steel</p>	<p>Blank - Conventional (Default)</p> <p>L - Less Cylinder</p> <p>SF6 - 6 Pin SFIC w/core</p> <p>SF7 - 7 Pin SFIC w/core</p> <p>SF6L - 6 Pin SFIC less core</p> <p>SF7L - 7 Pin SFIC less core</p> <p>LF - Schlage compatible LFIC w/core</p> <p>LFL - Schlage compatible LFIC less core</p>	<p>LL - Leadlined</p> <p>Door thickness:</p> <p>Blank - 1 3/4"</p> <p>DT2 - 2"</p> <p>DT24 - 2 1/4"</p> <p>DT25 - 2 1/2"</p> <p>Handing (ML3364):</p> <p>RH - LH - RHR - LHR</p>	<p>KD - Keyed different (Default)</p> <p>Others - See Keying</p>	<p>SCC - Schlage Default)</p> <p>Others - See Keyways</p>

## SPECIFICATIONS

### APPLICATIONS:

ML3000 Electrified mortise lock provides remote locking and unlocking to security restricted areas that require access control including:

- Hospital equipment rooms
- Laboratories
- Pharmaceutical storage rooms
- Computer rooms
- Elevator lobby doors
- Cashier rooms
- Radar control rooms

### FEATURES:

- Continuous duty solenoids
- Interface with life safety systems
- Used with numerous regulating devices such as card readers, key pad push buttons and central control rooms
- Inside lever always free for immediate egress
- Deadlocking latch
- Key override retracts latchbolt even if the latchbolt is electrically locked

### ELECTRICAL REQUIREMENTS:

- Voltage: 12 VDC or 24 VDC (Specify when ordering)
- Current:  
0.6A at 12 VDC,  
0.3A at 24 VDC
- Temperature:  
Max +140F (+60 C)  
Min -22F (-30 C)

### ELECTRIFIED FUNCTIONS:

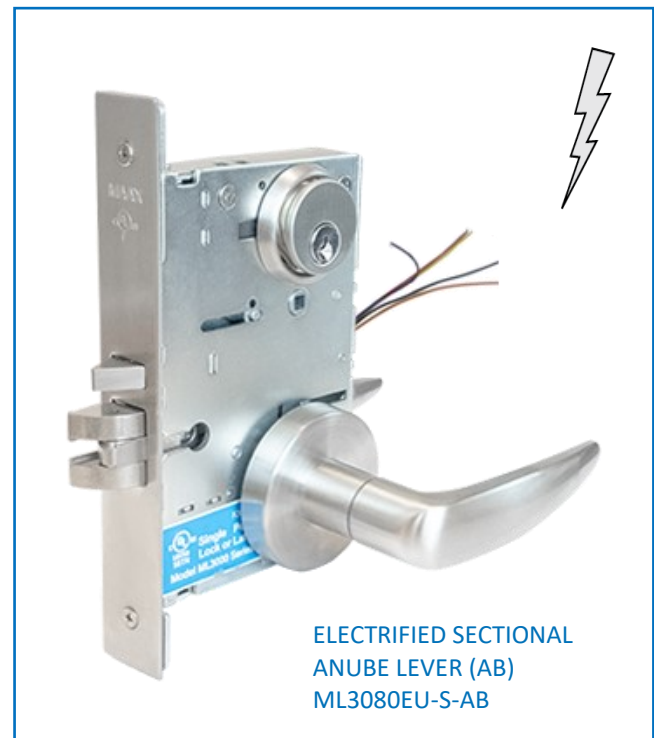
- Electrically locked EL (fail safe)
- Electrically unlocked EU (fail secure)

### ELECTRIFIED OPTIONS:

- Request to exit (RX):  
A micro switch positioned inside the lock case monitors the rotation of inside lever and sends a signal to shunt external alarms to allow for non disruptive means of immediate egress

### CYLINDERS AND KEYWAYS:

- Conventional 6-pin solid brass, Schlage "C" keyway, keyed different - standard
- Other keying options available from factory, including 6 & 7-pin SFIC small format interchangeable cores, LFIC large format interchangeable cores, and other brands keyway options



### KEYS:

- Two brass keys per lock

### KEYING:

- Can be master keyed (MK), grand master keyed (GMK) and great grand master keyed (GGMK)

### TRIM (SECTIONAL):

- Rose: 2-7/16" (62 mm) dia.

### TRIM (ESCUTCHEON):

- Wide (E): 2-9/16" (65 mm) X 8" (203 mm)
- Narrow (N): 1-27/32" (46.5 mm) X 8" (203 mm)

### LEVER OPTIONS:

- ENTRADA (ED), SIENA (SN), CURVA (CV), ANUBE (AB), OLECTRA (OR), BARLETA (BT)
- See Trims for details

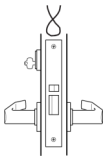
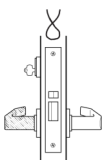
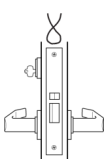
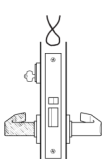
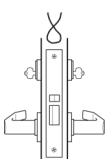
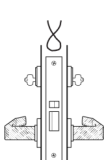
### FINISHES:

- US3 (605) Bright brass clear coated
- US4 (606) Satin brass, clear coated
- US10 (612) Satin bronze, clear coated
- US10B (613) Dark satin bronze, clear coated
- US26 (625) Bright chromium plated
- US26D (626) Satin chromium plated
- US32 (629) Bright stainless steel
- US32D (630) Satin stainless steel

### WARRANTY:

- Limited 15 years on hardware components
- Limited 1 year on electrified components

FUNCTIONS

	Function	Model No.	ANSI	Function Description
	Electrically Locked Fail Safe	ML3080EL	---	<ul style="list-style-type: none"> <li>Lever outside continuously locked by 12 VDC or 24 VDC.</li> <li>Latchbolt retracted by key outside when lock is energized.</li> <li>Switch or power failure unlocks outside lever and allows lever to retract latchbolt.</li> <li>Auxiliary latch deadlocks latchbolt.</li> <li>Inside lever always free for immediate egress.</li> </ul>
	Electrically Unlocked Fail Secure	ML3080EU	---	<ul style="list-style-type: none"> <li>Lever outside continuously locked.</li> <li>Lever outside unlocked by 12 VDC or 24 VDC.</li> <li>Latchbolt retracted by key outside or by lever inside.</li> <li>Auxiliary latch deadlocks latchbolt.</li> <li>Inside lever always free for immediate egress.</li> </ul>
	Electrically Locked Fail Safe w/Request to Exit	ML3080ELRX	---	<ul style="list-style-type: none"> <li>Lever outside continuously locked by 12 VDC or 24 VDC.</li> <li>Latchbolt retracted by key outside when lock is energized.</li> <li>Switch or power failure unlocks outside lever and allows lever to retract latchbolt.</li> <li>Auxiliary latch deadlocks latchbolt.</li> <li>Inside lever always free for immediate egress.</li> <li>Rotating inside lever cycles SPDT switch to signal use of the door.</li> </ul>
	Electrically Unlocked Fail Secure w/Request to Exit	ML3080EURX	---	<ul style="list-style-type: none"> <li>Lever outside continuously locked.</li> <li>Lever outside unlocked by 12 VDC or 24 VDC.</li> <li>Latchbolt retracted by key outside or by lever inside.</li> <li>Auxiliary latch deadlocks latchbolt.</li> <li>Inside lever always free for immediate egress.</li> <li>Rotating inside lever cycles SPDT switch to signal use of the door.</li> </ul>
	Electrically Locked Fail Safe Both sides locking	ML3082EL	---	<ul style="list-style-type: none"> <li>Both levers continuously locked by 12 VDC or 24 VDC.</li> <li>Latchbolt retracted by either key.</li> <li>Switch or power failure unlocks both levers and allows levers to retract latchbolt.</li> <li>Auxiliary latch deadlocks latchbolt.</li> </ul> <p>Note: This function does not allow for free egress. Must be used in accordance with approved codes only.</p>
	Electrically Unlocked Fail Secure Both sides locking	ML3082EU	---	<ul style="list-style-type: none"> <li>Both levers continuously locked.</li> <li>Both levers unlocked by 12 VDC or 24 VDC.</li> <li>Latchbolt retracted by either key.</li> <li>Auxiliary latch deadlocks latchbolt.</li> </ul> <p>Note: This function does not allow for free egress. Must be used in accordance with approved codes only.</p>

**HOW TO ORDER ELECTRIFIED MORTISE LOCKS**

<b>ML3080EL</b>	<b>12</b>	<b>S</b>	<b>ED</b>	<b>US32D</b>			<b>SCC</b>	<b>KD</b>	
Model No./Function	VDC	Trim Design	Trim Style	Finish	Handing	Cylinder	Keyway	Keying	Options

ML3080EL - Electrically locked, fail safe  
 ML3080EU - Electrically unlocked, fail secure  
 ML3080ELRX - Electrically locked, fail safe, with request to exit  
 ML3080EURX - Electrically unlocked, fail secure, with request to exit  
 ML3082EL - Electrically locked, fail safe, with both sides locking  
 ML3082EU - Electrically unlocked, fail secure, with both sides locking

12 - 12 VDC  
 24 - 24 VDC

S- SECTIONAL  
 E - ESCUTCHEON, WIDE  
 N - ESCUTCHEON, NARROW

ED - ENTRADA  
 SN - SIENA  
 CV - CURVA  
 AB - ANUBE  
 OR - OLECTRA  
 BT - BARLETA

US3 - (605) Bright brass clear coated  
 US4 - (606) Satin brass, clear coated  
 US10 - (612) Satin bronze, clear coated  
 US10B - (613) Dark satin bronze, oil rubbed finish  
 US26 - (625) Bright chromium plated  
 US26D - (626) Satin chromium plated  
 US32 - (629) Bright stainless steel  
 US32D - (630) Satin stainless steel

Blank - Right Hand (Default)\*  
 RHR - Right Hand Reverse  
 LH - Left Hand  
 LHR - Left Hand Reverse  
 \* Field Reversible

LED - Leadlined  
 TW - Tactile warning  
 Door thickness:  
 Blank - 1 3/4"  
 DT2 - 2"  
 DT24 - 2 1/4"  
 DT25 - 2 1/2"  
 Strike:  
 Blank - (ASA) with lip  
 FLP - Flat 7/8"  
 ADATH - ADA Thumbturn

KD - Keyed different (Default)  
 Others - See Keying

SCC - Schlage "C" (Default)  
 Others - See Keyways

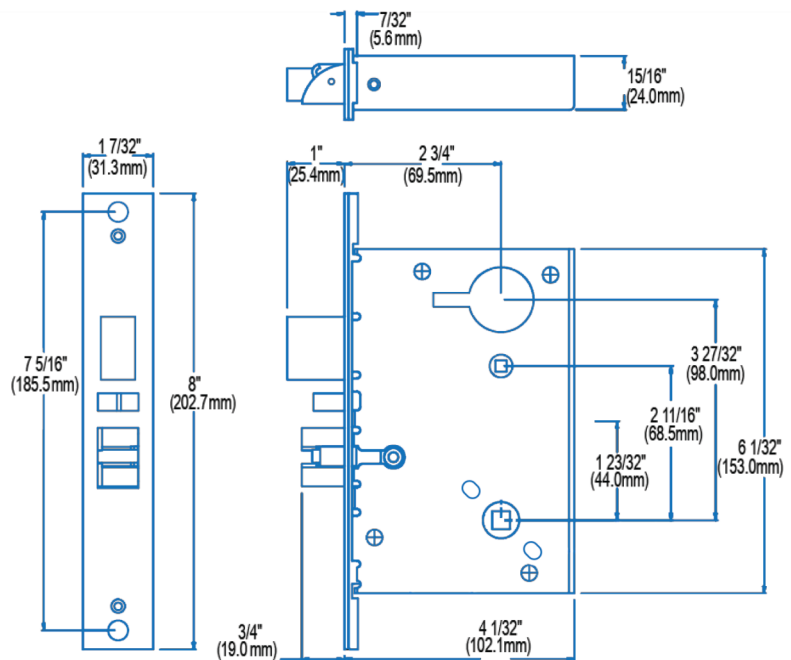
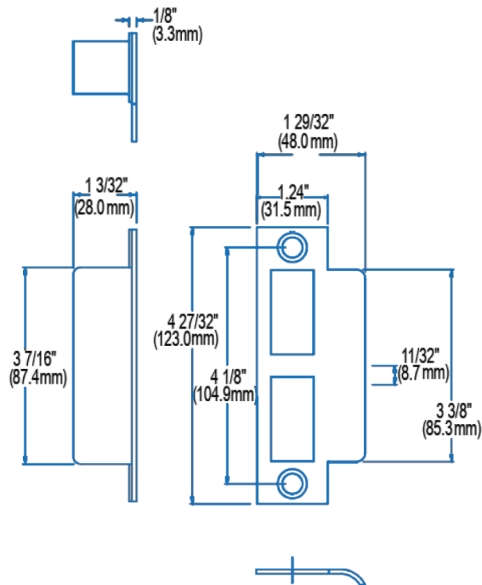
Blank - Conventional (Default)  
 L - Less Cylinder  
 SF6 - 6 Pin SFIC w/core  
 SF7 - 7 Pin SFIC w/core  
 SF6L - 6 Pin SFIC less core  
 SF7L - 7 Pin SFIC less core  
 LF - Schlage compatible LFIC w/core  
 LFL - Schlage compatible LFIC less core

DIMENSIONS

ML3000 MORTISE LOCK DIMENSIONS

STRIKE / STRIKE BOX

LOCK CASE / FACEPLATE



STRIKES

ML3000 MORTISE LOCK STRIKES

Item No. 300101  
Curved Lip Strike

Standard - for latched mortise locks on single doors and pair doors without overlapping astragal

Material: Stainless steel or brass  
Finish: US3, US4, US10, US10B, US26, US26D, US32, US32D



Item No. 300102  
No Lip Strike


Standard - for mortise deadbolts (F16, F17, F18 & F29)  
Optional - for latched mortise locks on pair doors having overlapping astragal (specify when ordering)

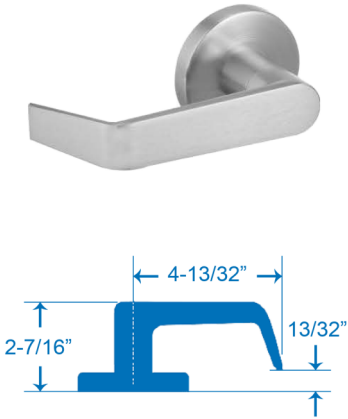
Material: Stainless steel or brass  
Finish: US3, US4, US10, US10B, US26, US26D, US32, US32D




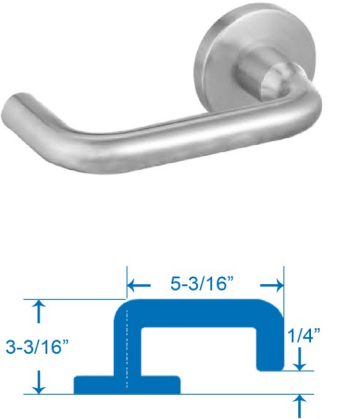



**TRIMS - SECTIONAL (S)**

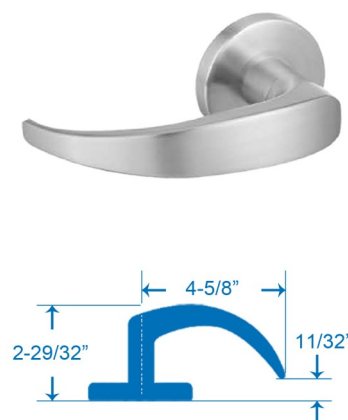
**ENTRADA (ED)** 




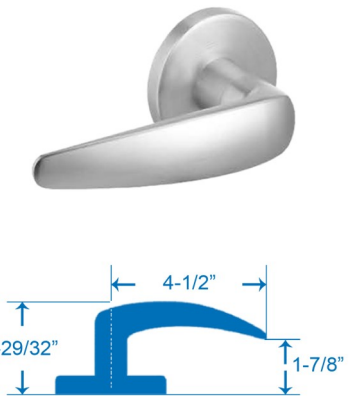
**SIENA (SN)** 




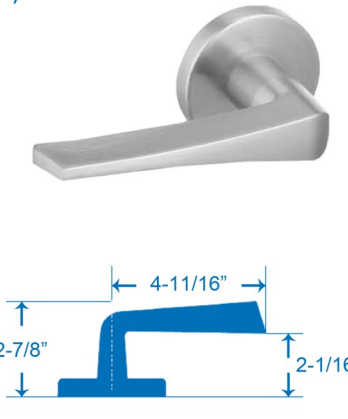
**CURVA (CV)** 




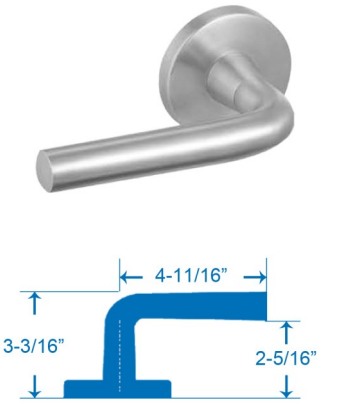
**ANUBE (AB)** 



**OLECTRA (OR)** 



**BARLETA (BT)** 



TRIMS - ESCUTCHEON, WIDE STYLE (E)



**TRIMS - ESCUTCHEON, NARROW STYLE (N)**



### SPECIFICATIONS

#### APPLICATIONS:

HL30 Heavy duty mortise push-pull hardware combines the features of ML3000 mortise lock with the push-pull trim that is ideal for hospital patient rooms, laboratories, and other healthcare and institutional applications where easy operation of a door is needed even when hands are not free

#### STANDARDS:

- UL/cUL listed for A label - 3 hours fire rating
- Meets UL 10C and UBC 7-2 (1997) positive pressure requirements
- Meets ADA ANSI A117.1 Accessibility code requirements

#### FEATURES:

- Push-Pull trim can be mounted in vertical (up/down) or horizontal orientations (conditions apply - see notes)
- Trims are thru-bolt mounted with lock case for better stability on high frequency usage
- Quite functionality

#### DOOR THICKNESS:

- 1-3/4" (44.5 mm) - standard
- Must specify door thickness if greater than 1-3/4" (44.5 mm) up to 2-1/2" (63.5 mm)

#### HANDING:

- Non-handed, field reversible

#### PROJECTION:

- 3-1/4" (83 mm)

#### BACKSET:

- 2-3/4" (70 mm)

#### TRIM'S HANDLE:

- 1-1/2" (38 mm) X 4-1/2" (118 mm) wrought stainless steel

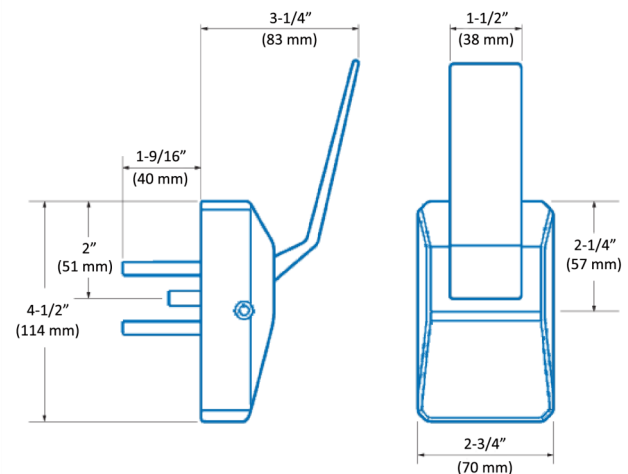
#### TRIM'S ESCUTCHEON:

- 2-3/4" (70 mm) X 4-1/2" (118 mm) wrought stainless steel

#### FUNCTIONS:

- Can be provided along with the following mortise lock functions:  
Passage (F01), Office/Entry (F04), Classroom (F05), Apartment Entrance (F09), Dormitory (F11), Corridor (F13), Store/Utility (F14), Privacy (F19), Apartment (F20), Privacy/Bath (F22), Asylum/Institution (F30)

HL30



#### OPTIONS:

- Engraving of "PUSH" or "PULL" (Specify engraving direction when ordering)

#### FINISHES:

- US26 (625) Bright chromium plated
- US26D (626) Satin chromium plated
- US32 (629) Bright stainless steel
- US32D (630) Satin stainless steel

**MOUNTING POSITIONS**

<p><b>Two Handles Up (PUSH-PULL)</b></p> <p>1. </p>	<p><b>Two Handles Down (PUSH-PULL)</b></p> <p>2. </p>	<p><b>One handle Up (PULL)</b> <b>One handle Down (PUSH)</b></p> <p>3. </p>	<p><b>One handle Up (PUSH)</b> <b>One handle Down (PULL)</b></p> <p>4. </p>
<p><b>One handle UP (PUSH)</b> <b>One handle Horizontal (PULL)</b></p> <p>5. </p>	<p><b>One handle Down (PUSH)</b> <b>One handle Horizontal (PULL)</b></p> <p>6. </p>	<p><b>One handle Down (PULL)</b> <b>One handle Horizontal (PUSH)</b></p> <p>7. </p>	<p><b>One handle Up (PULL)</b> <b>One handle Horizontal (PUSH)</b></p> <p>8. </p>
<p><b>Two handles Horizontal (PUSH-PULL)</b></p> <p>9. </p>		<p><b>NOTES</b></p> <ul style="list-style-type: none"> <li>For lock functions with cylinder, handle on the cylinder side can be mounted either "DOWN" or "HORIZONTAL", to avoid conflict with the cylinder</li> <li>For lock functions with thumbturn, handle on the thumbturn side can be mounted "HORIZONTAL" position only</li> </ul>	

**HOW TO ORDER MORTISE LOCKS WITH HL30 PUSH-PULL**

<b>ML3070</b>	<b>HL30</b>	<b>2</b>	<b>US32D</b>			<b>SCC</b>	<b>KD</b>	<b>A</b>
<b>Model No./Function</b>	<b>Trim</b>	<b>Mounting Position</b>	<b>Finish</b>	<b>Handing</b>	<b>Cylinder</b>	<b>Keyway</b>	<b>Keying</b>	<b>Options</b>

- ML3010 - Passage/Closet (F01)
- ML3040 - Privacy, Bath/Bedroom (F22)
- ML3050 - Office/Entry (F04)
- ML3060 - Apartment Entrance (F09)
- ML3070 - Classroom (F05)
- ML3082 - Asylum/Institution (F30)
- ML3340 - Privacy w/Deadbolt (F19)
- ML3352 - Apartment Entry w/Deadbolt (F20)
- ML3356 - Corridor w/Deadbolt (F13)
- ML3357 - Dormitory w/Deadbolt (F11)
- ML3366 - Store/Utility Room w/Deadbolt (F14)

1- 9 (Select from Mounting Positions)

- US26 - (625) Bright chromium plated
- US26D - (626) Satin chromium plated
- US32 - (629) Bright stainless steel
- US32D - (630) Satin stainless steel

Engraving (PUSH) and (PULL):  
 A- mounting 1      F- mounting 6  
 B- mounting 2      G- mounting 7  
 C- mounting 3      H- mounting 8  
 D- mounting 4      K- mounting 9  
 E- mounting 5

Handing, Cylinder, Keyway, Keying and other options, refer to their ordering directions as shown in page-10

## SPECIFICATIONS

### APPLICATIONS:

ML300 Heavy duty mortise deadbolt with small lockcase is ideal for use in restrooms and small doors in public utilities. The lock provides higher security when used as an auxiliary deadbolt in other applications

### STANDARDS:

- UL/cUL listed for A label - 3 hours fire rating
- Meets UL 10C and UBC 7-2 (1997) positive pressure requirements
- Meets ADA ANSI A117.1 Accessibility code requirements

### FEATURES:

- Heavy duty for commercial, industrial, and institutional applications

### DOOR THICKNESS:

- 1-3/4" (44.5 mm) - standard
- Must specify door thickness if greater than 1-3/4" (44.5 mm) up to 2-1/2" (63.5 mm)

### HANDING:

- Non-handed except for function ML300 classroom function (see functions)
- Universal faceplate to accommodate beveled or flat edge doors

### LOCK CASE:

- 4-1/32" (102 mm) X 3-5/8" (92 mm) X 15/16" (24 mm) Heavy wrought steel, zinc dichromate plated

### FACEPLATE:

- 1-7/32" (31.3 mm) X 5-5/8" (143 mm) stainless steel

### BACKSET:

- 2-3/4" (70 mm)

### DEADBOLT:

- 1" (25 mm) throw, stainless steel

### EXPOSED TRIM:

- Cast zinc, forged brass, and wrought stainless steel (see trims)

### CYLINDER AND KEYWAYS:

- Conventional 6-pin solid brass, Schlage "C" keyway, keyed different - standard
- Other keying options available from factory, including 6 & 7-pin SFIC small format interchangeable cores, LFIC large format interchangeable cores, and other brands keyway options



### KEYS:

- Two brass keys per lock

### KEYING:

- Can be master keyed (MK), grand master keyed (GMK) and great grand master keyed (GGMK)

### STRIKE:

- 1-1/8" (29 mm) X 3-1/2" (89 mm) stainless steel, with plastic strike box

### FINISHES:

- US3 (605) Bright brass clear coated
- US4 (606) Satin brass, clear coated
- US10 (612) Satin bronze, clear coated
- US10B (613) Dark satin bronze, clear coated
- US26 (625) Bright chromium plated
- US26D (626) Satin chromium plated
- US32 (629) Bright stainless steel
- US32D (630) Satin stainless steel

### OPTIONS:

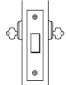
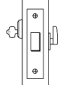
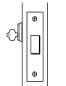
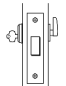

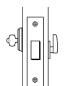
- Lead lining
- ADA thumbturn

### WARRANTY:

- Limited 15 years on hardware components



**FUNCTIONS**

	Function	Model No.	ANSI	Function Description
	Cylinder X Cylinder Deadbolt	ML360	E06061	<ul style="list-style-type: none"> <li>▪ Deadbolt projected and retracted by key either side.</li> </ul>
	Cylinder X Thumbturn Deadbolt	ML361	E06071	<ul style="list-style-type: none"> <li>▪ Deadbolt projected and retracted by key outside or thumbturn inside.</li> </ul>
	Cylinder X Blank Deadbolt	ML362	E06081	<ul style="list-style-type: none"> <li>▪ Deadbolt projected and retracted by key outside.</li> <li>▪ No trim on opposite side.</li> </ul>
	Cylinder X Classroom Thumbturn	ML364	E06091	<ul style="list-style-type: none"> <li>▪ Deadbolt projected and retracted by key outside.</li> <li>▪ Thumbturn inside retracts deadbolt but cannot project it.</li> </ul>
	Door Bolt	ML380	---	<ul style="list-style-type: none"> <li>▪ Deadbolt projected and retracted by Thumbturn.</li> <li>▪ No trim on opposite side.</li> </ul>
	Deadbolt w/Occupied Indicator	ML396	---	<ul style="list-style-type: none"> <li>▪ Deadbolt projected and retracted key outside or by thumbturn inside.</li> <li>▪ When deadbolt is thrown, "OCCUPIED" message is displayed.</li> </ul>

**HOW TO ORDER ML300 MORTISE DEADBOLTS**

ML361	US32D	SCC	KD		
Model No./Function	Finish	Cylinder	Keyway	Keying	Options
<p>ML360 - Cylinder X Cylinder Deadbolt (E06061)</p> <p>ML361 - Cylinder X Thumbturn Deadbolt (E06071)</p> <p>ML362 - Cylinder X Blank Deadbolt (E06081)</p> <p>ML364 - Cylinder X Classroom Thumbturn (E06091) (Specify Handing)</p> <p>ML380 - Door Bolt</p> <p>ML396 - Deadbolt w/ OCCUPIED Indicator</p>	<p>US3 - (605) Bright brass clear coated</p> <p>US4 - (606) Satin brass, clear coated</p> <p>US10 - (612) Satin bronze, clear coated</p> <p>US10B - (613) Dark satin bronze, oil rubbed finish</p> <p>US26 - (625) Bright chromium plated</p> <p>US26D - (626) Satin chromium plated</p> <p>US32 - (629) Bright stainless steel</p> <p>US32D - (630) Satin stainless steel</p>	<p>Blank - Conventional (Default)</p> <p>L - Less Cylinder</p> <p>SF6 - 6 Pin SFIC w/core</p> <p>SF7 - 7 Pin SFIC w/core</p> <p>SF6L - 6 Pin SFIC less core</p> <p>SF7L - 7 Pin SFIC less core</p> <p>LF - Schlage compatible LFIC w/core</p> <p>LFL - Schlage compatible LFIC less core</p>	<p>LED - Leadlined</p> <p>Door thickness:</p> <p>Blank - 1 3/4"</p> <p>DT2 - 2"</p> <p>DT24 - 2 1/4"</p> <p>DT25 - 2 1/2"</p> <p>Handing (ML364):</p> <p>RH - LH - RHR - LHR</p> <p>ADATH - ADA Thumbturn</p>	<p>KD - Keyed different (Default)</p> <p>Others - See Keying</p>	<p>SCC - Schlage Default)</p> <p>Others - See Keyways</p>

**STANDARD MORTISE CYLINDER**

FEATURES:

- 6 pin conventional mortise cylinder - Standard
- Keyway: Schlage "C" keyway - Standard
- Cylinder length: 1-1/8" (29 mm) or 1-1/4" (32 mm)
- Keying: Keyed different (KD) - Standard
- Cylinder cam: Comparable to Schlage L583-254
- Keying: Keyed different (KD) - Standard
- Optional: Other keyways and Master keying

MATERIAL:

- Cylinder body: Solid brass
- Cylinder face: Brass or stainless steel

FACE FINISH:

- US3, US4, US10, US10B, US26, US26D, US32, US32D

**INTERCHANGEABLE CYLINDER (IC)**

FEATURES:

- Interchangeable cylinder (IC) is an optional mortise cylinder offering immediate re-keying by simply using a special "control key" to replace the core without removing the cylinder housing
- "SFIC" Small format interchangeable core:
  - 6 pin, 1-1/4" (32 mm) cylinder length
  - 7 pin, 1-3/8" (35 mm) cylinder length
- "LFIC" Large format interchangeable core:
  - 6 pin, 1-1/2" (38 mm) cylinder length
  - 7 pin, 1-1/2" (38 mm) cylinder length
- Keyway: See Keyways and Keying

MATERIAL:

- Cylinder body: Solid brass
- Cylinder face: Brass or stainless steel

FACE FINISH:

- US3, US4, US10, US10B, US26, US26D, US32, US32D

**THUMBTURN CYLINDER**

FEATURES:

- Mortise conventional cylinder with thumbturn for classroom deadbolts
- Handed (specify handing when ordering)
- Optional: ADA compliant thumbturn
- Cylinder cam: Comparable to Schlage L583-254
- Cylinder length: 1-1/8" (29 mm) or 1-1/4" (32 mm)

**DUMMY MORTISE CYLINDER**

FEATURES:

- Used to fill an opening left when mortise cylinder operation is no longer required
- Cylinder length: 1-1/8" (29 mm) or 1-1/4" (32 mm)



Conventional Cylinder (Housing w/Core)



SFIC Cylinder Housing (SFIC cylinder less core)



LFIC Cylinder Housing (LFIC cylinder less core)



SFIC Core



LFIC Core















Thumbturn Cylinder



Dummy Cylinder

**KEYWAYS**

CONVENTIONAL MORTISE CYLINDER		
KEYWAY		SUFFIX
SCHLAGE C (Default)		SCC
ARROW AR1		AR1
CORBIN 60		CO60
CORBIN L4		COL4
KWIKSET		KW1
RUSSWIN D1		RUD1
SARGENT LA		SALA
SCHLAGE E		SCE
SCHLAGE F		SCF
WEISER E		WEE
YALE E1R		YAER
YALE GA		YAGA
SMALL FORMAT INTERCHANGEABLE CORE (SFIC)		
KEYWAY		SUFFIX
BEST A 6-pin (Default)		BA6
BEST A, B, C, D, E, F, G, H, J, K, L, M, Q, all are 7-pin		BA7, BB7, BC7, BD7, BE7, BF7, BG7, BH7, BJ7, BK7, BL7, BM7, BQ7
LARGE FORMAT INTERCHANGEABLE CORE (LFIC)		
KEYWAY		SUFFIX
SCHLAGE C (Default)		SCC

**KEYING**

KEYING ABBREVIATIONS	
KEYWAY	SUFFIX
Keyed Different (Default)	KD
Keyed Alike	KA
"0" Zero Bitted	K0
Master Key	MK
Grand Master Key	GMK
Construction Master Key	CMK
KEYING OPTIONS (CONVENTIONAL)	
<ul style="list-style-type: none"> <li>▪ Keyed alike and "0" bitted cylinders (6 pin only)</li> <li>▪ Master keyed: Must specify quantity of master keys</li> <li>▪ Construction master keyed: Schlage C, E &amp; F</li> <li>▪ Submit master keying form</li> <li>▪ Extra cut keys</li> <li>▪ Key marking</li> <li>▪ Cylinder marking</li> <li>▪ Bitting lists (ordered separately)</li> <li>▪ Check availability of keyways at the time of ordering</li> </ul>	
KEYING OPTIONS (SFIC)	
<ul style="list-style-type: none"> <li>▪ Cores are keyed different unless otherwise specified</li> <li>▪ Keyed alike</li> <li>▪ Construction cores</li> <li>▪ Master keyed: Must specify quantity of master keys, control keys or additional change keys</li> <li>▪ Key marking</li> <li>▪ Core marking</li> <li>▪ Do not duplicate</li> <li>▪ Bitting lists (ordered separately)</li> </ul>	
KEYING OPTIONS (LFIC)	
<ul style="list-style-type: none"> <li>▪ Cores are zero bitted unless otherwise specified</li> <li>▪ Keyed different</li> <li>▪ Keyed alike</li> <li>▪ Master keyed: Must specify quantity of master keys, control keys or additional change keys</li> <li>▪ Construction master keyed</li> <li>▪ Key marking</li> <li>▪ Core marking</li> <li>▪ Bitting lists (ordered separately)</li> </ul>	



Commercial Hardware

## ML3000 Series

Mortise Locksets

MX-ML3000-20

© 2020 MAAX HARDWARE INC.

MAAX™ IS A TRADEMARK OF MAAX HARDWARE INC.

1-844-666-MAAX | [www.maaxhardware.com](http://www.maaxhardware.com)  
Ontario, Canada