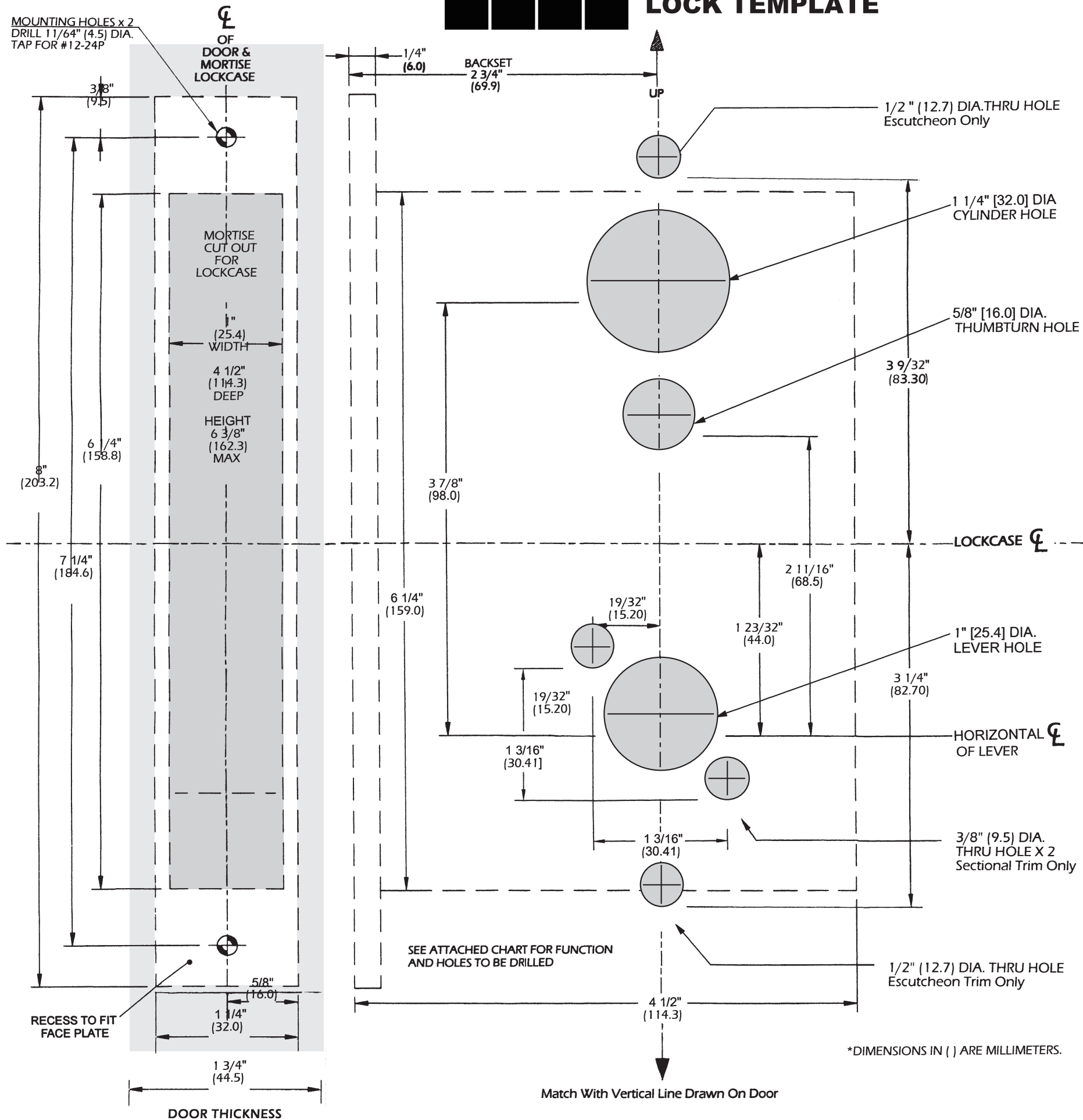
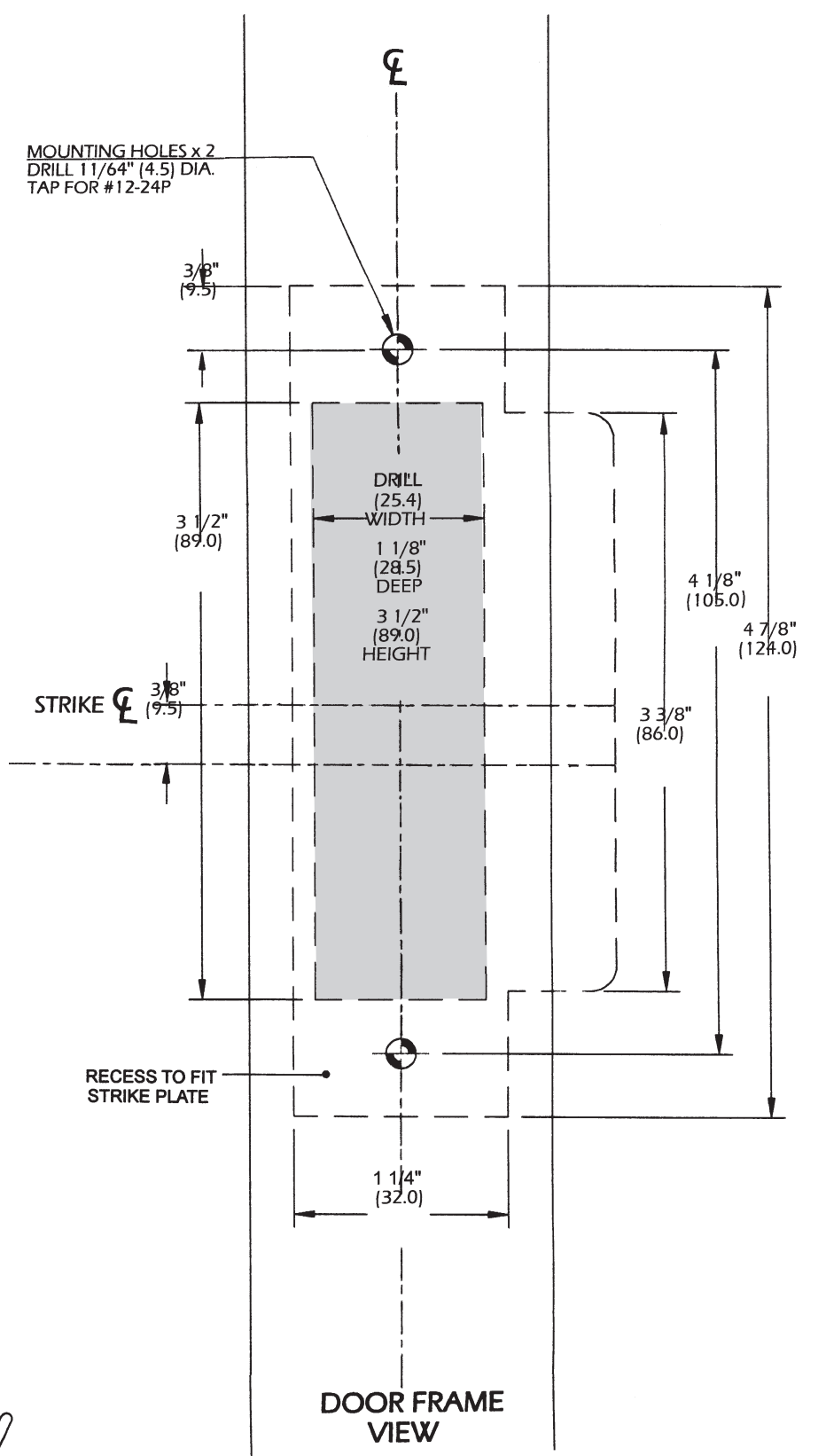




**ML3000 Mortise Lock
Grade-1
LOCK TEMPLATE**



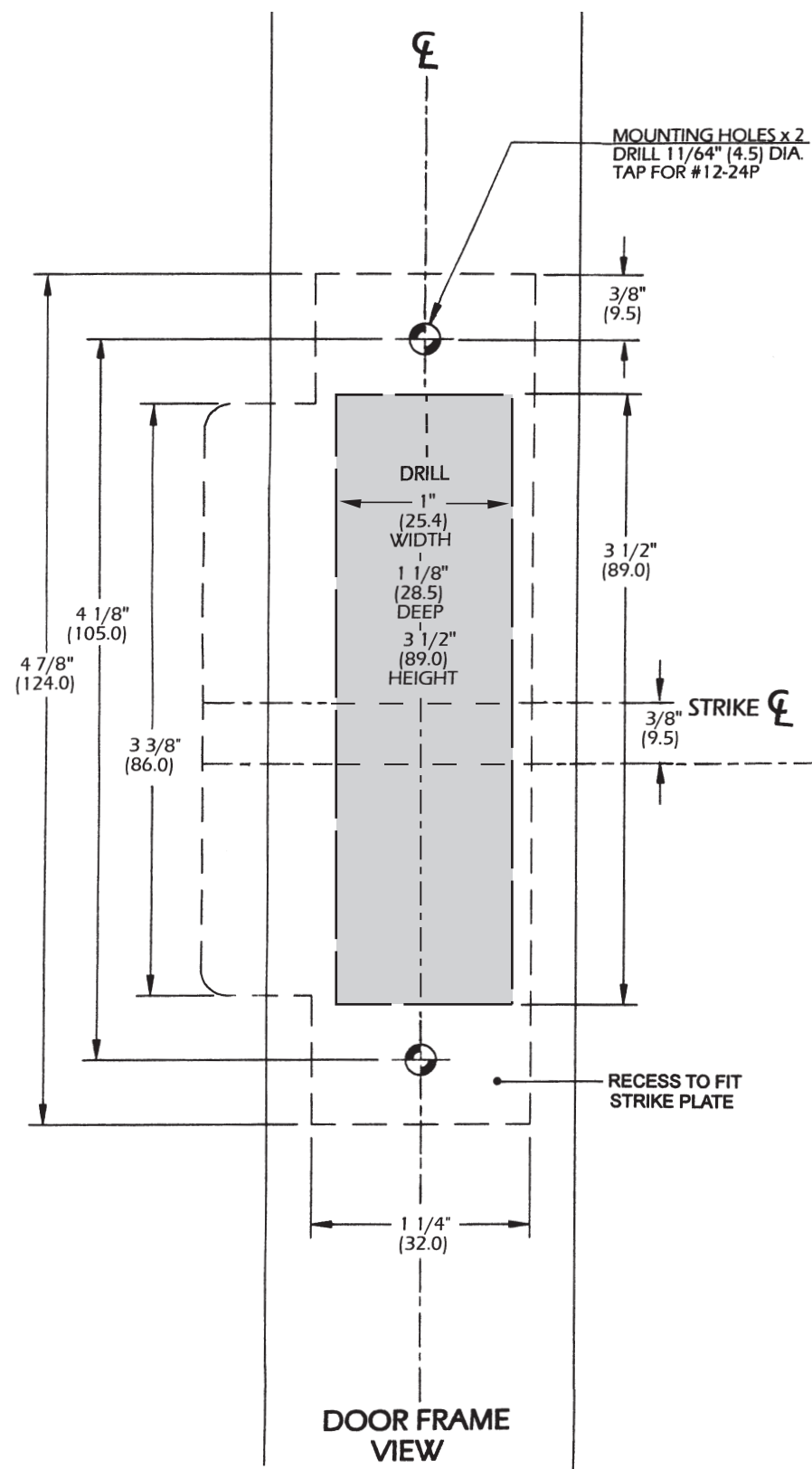
**ML3000 Mortise Lock
Grade-1
STRIKE TEMPLATE**



FOR OPPOSITE HAND PLEASE SEE REVERSE SIDE



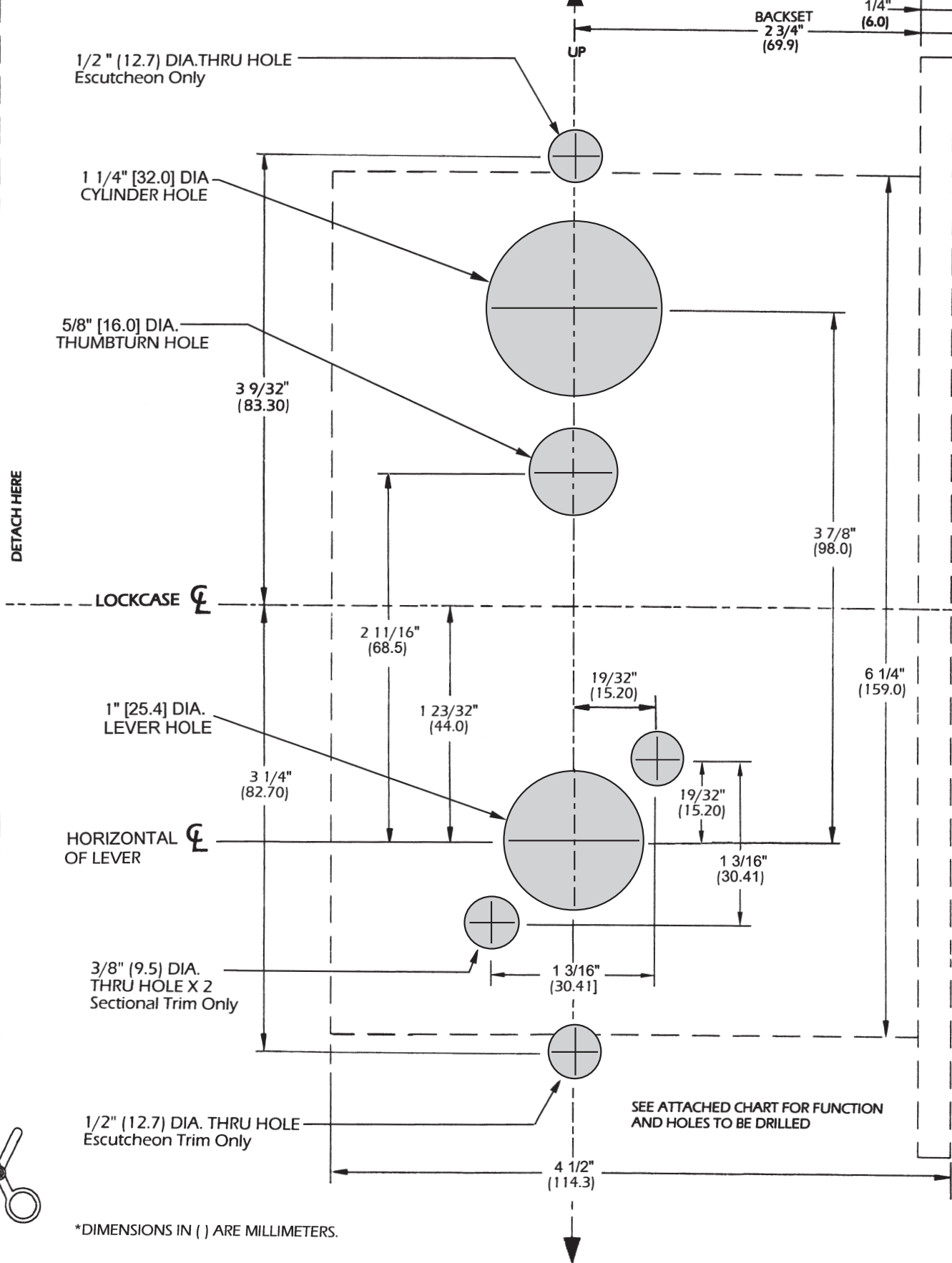
ML3000 Mortise Lock
Grade-1
STRIKE TEMPLATE



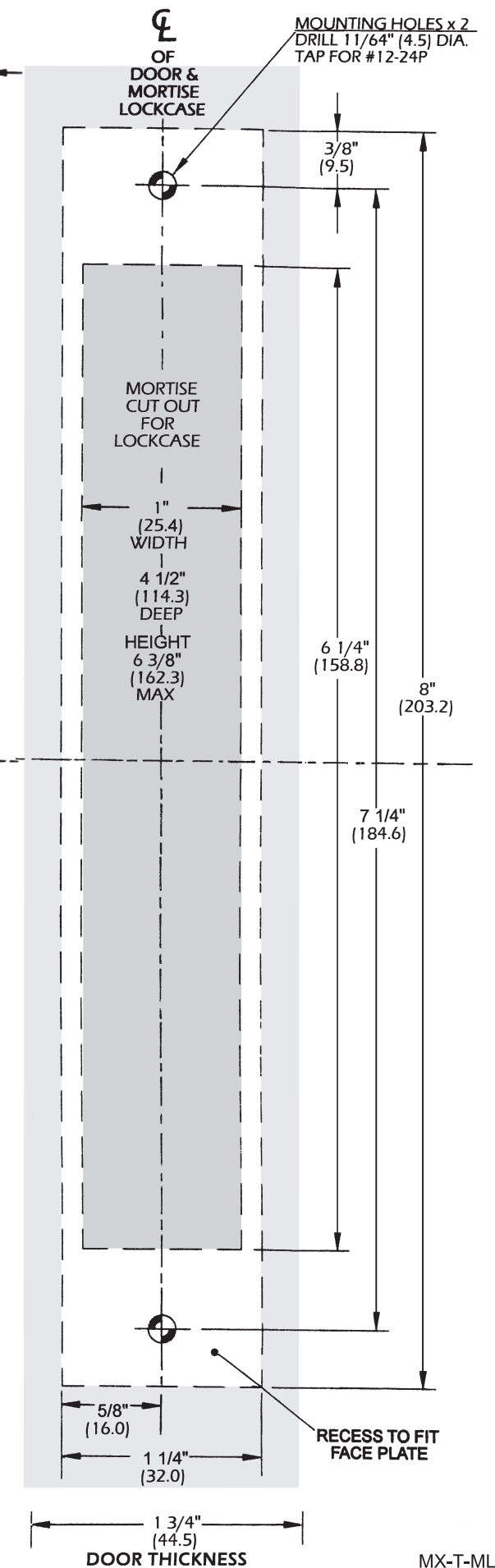
FOR OPPOSITE HAND PLEASE SEE REVERSE SIDE



ML3000 Mortise Lock
Grade-1
LOCK TEMPLATE



Match With Vertical Line Drawn On Door





ML3000 Series Mortise Lock - Grade-1

CHART FOR DRILLING TRIM HOLES

FUNCTIONS			OUTSIDE			INSIDE		
MORTISE LOCK DESCRIPTIONS	ANSI	MODEL NO.	LEVER HOLE	CYLINDER HOLE	THUMBTURN HOLE	LEVER HOLE	CYLINDER HOLE	THUMBTURN HOLE
Passage/Closet	F01	ML3010	●			●		
Privacy w/Deadbolt	F02	ML3043	●		●	●		●
Office/Entry (w/Toggle)	F04	ML3050	●	●		●		
Classroom	F05	ML3070	●	●		●		
Storeroom/Closet	F07	ML3080	●	●		●		
Apartment Entrance	F09	ML3060	●	●		●	●	
Dormitory/Exit (w/Toggle)	F11	ML3357	●	●		●	●	
Dormitory/Exit w/Deadbolt	F12	ML3359	●	●		●		●
Corridor w/Deadbolt	F13	ML3356	●	●		●		●
Store/Utility Room w/Deadbolt	F14	ML3366	●	●		●	●	
Hotel Guest Room w/Deadbolt	F15	ML3385	●	●		●		●
Dead Lock - Cylinder X Cylinder	F16	ML3362		●			●	
Dead Lock - Cylinder X Thumbturn	F17	ML3360		●				●
Dead Lock - Single Cylinder	F18	ML3361		●				
Privacy w/Deadbolt	F19	ML3340	●		●	●		●
Apartment Corridor (w/Toggle)	F20	ML3352	●	●		●		●
Dormitory w/Deadbolt	F21	ML3373	●	●		●		●
Privacy, Bath/Bedroom	F22	ML3040	●		●	●		●
Privacy w/ Coin Turn Outside		ML3042	●		●	●		●
Classroom Deadbolt	F29	ML3363		●				●
Asylum/Institutional	F30	ML3082	●	●		●	●	
Classroom Security Intruder Latchbolt	F32	ML3369	●	●		●	●	
Classroom Security Lock w/Deadbolt	F33	ML3368	●	●		●	●	
Classroom Security Lock w/Deadbolt	F34	ML3367	●	●		●	●	
Storeroom w/Deadbolt	F35	ML3358	●	●		●		
Dummy Trim One Side		ML3001	●					
Dummy Trim Two Sides		ML3002	●			●		