



C7000 Series Door Closer
Surface Mounted
Adjustable & Preset "Back Check"
Optional: Delayed Action (DA) Non
Hold-Open / Hold-Open

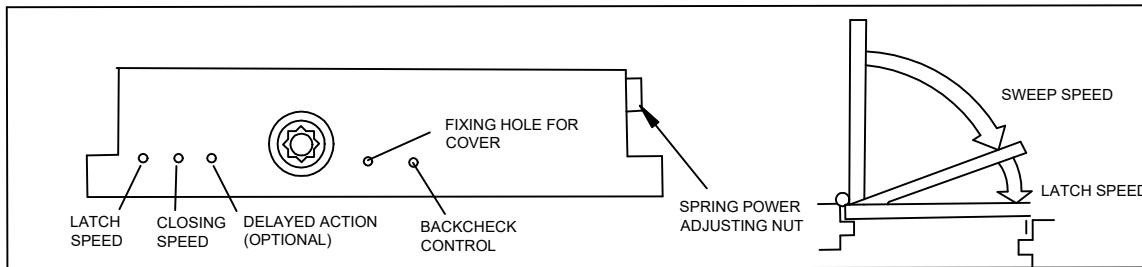
MODEL : C7000 ADJ 1-6 INSTALLATION INSTRUCTIONS

CLOSER ADJUSTMENT:

NOTE: Closing arcs ("CLOSE" and "LATCH") are controlled by two (2) separate speed adjusting valves. Adjust the CLOSING speed first, then adjust the LATCH speed.

- "CLOSING" speed adjustment is accomplished by full rotations of the speed adjusting valve.
 - Turn the speed adjusting valve **CLOCKWISE** for a **SLOWER** closing speed.
 - Turn the speed adjusting valve **COUNTER-CLOCKWISE** for a **FASTER** closing speed.
- "LATCH" speed adjustment is accomplished by full rotations of the speed adjusting valve.
 - Turn the speed adjusting screw **CLOCKWISE** for a **SLOWER** latching speed.
 - Turn the speed adjusting screw **COUNTER-CLOCKWISE** for a **FASTER** Latching speed.

CAUTION!! Do not turn speed adjusting valve more than two (2) full turns counter-clockwise from its factory set position, as two speed adjusting valves could become dislodged from the closer body resulting in the loss of internal fluid and failure of the device.



BACK CHECK CONTROL

- To increase back check intensity, turn back check control valve clockwise.
- To decrease back check intensity, turn back check control valve counter-clockwise.

SPRING POWER CONTROL

- To increase opening force and closing force, turn the spring adjusting nut clockwise.
- To decrease opening force and closing force, turn the spring adjusting nut counter-clockwise.

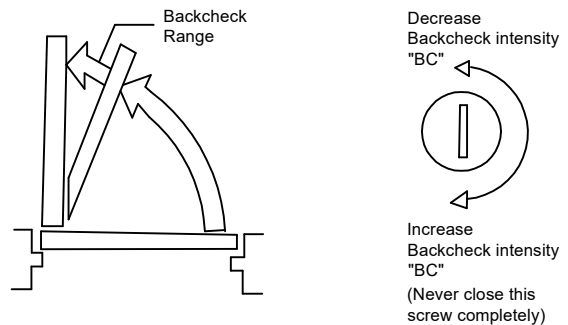
FULLY ADJUSTABLE SPRING

C7000 SERIES CLOSERS ARE FACTORY SET AT SIZE (3). ROTATE SPRING ADJUSTMENT NUT COUNTER-CLOCKWISE TO REDUCE THE SPRING POWER SIZE. ROTATE SPRING ADJUSTMENT NUT CLOCKWISE TO INCREASE SPRING POWER SIZE.

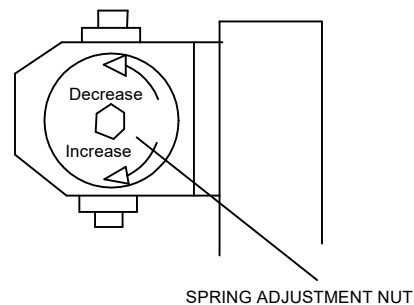
SPRING POWER ADJUSTMENT			
Exterior Doors	Interior Doors	Full Turns Required	Spring Power Rating
32" (0.81m)	28" (0.71m)	-5 TURNS C.C.W	1
36" (0.91m)	32" (0.81m)	-3 TURNS C.C.W	2
42" (1.07m)	36" (0.91m)	0 TURNS C.W	3
48" (1.22m)	42" (1.07m)	3 TURNS C.W	4
54" (1.37m)	48" (1.22m)	6 TURNS C.W	5
58" (1.47m)	54" (1.37m)	9 TURNS C.W	6

-5 means 5 turns counter-clockwise
 3 means 3 turns clockwise

ADJUSTABLE SPRING MODELS



OPENING CYCLE



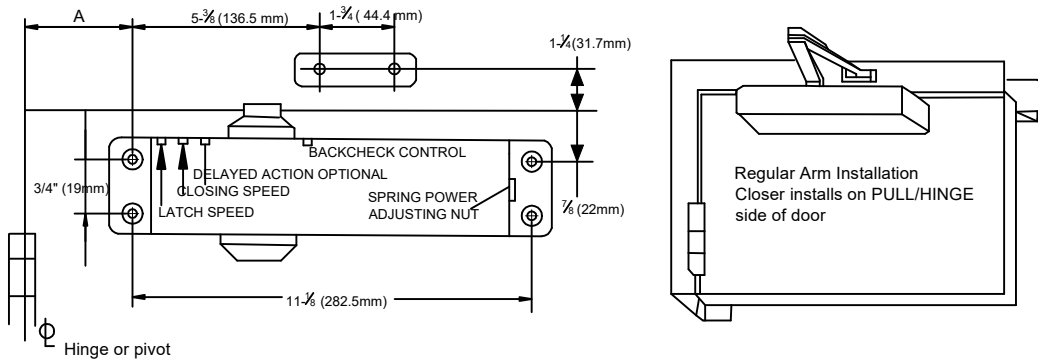
NOTE: MAXIMUM ADJUSTMENT IS APPROXIMATELY 10 TURNS FROM MINIMUM SETTING. DO NOT FORCIBLY EXTEND ADJUSTMENT BEYOND LIMITS.



C7000 Series Door Closer
Surface Mounted
Adjustable & Preset "Back Check"
Optional: Delayed Action (DA)
Non Hold-Open / Hold-Open

Installation Instructions for REGULAR ARM (PULL SIDE) Mounting

TECHNICAL DIMENSIONS:



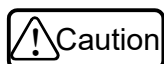
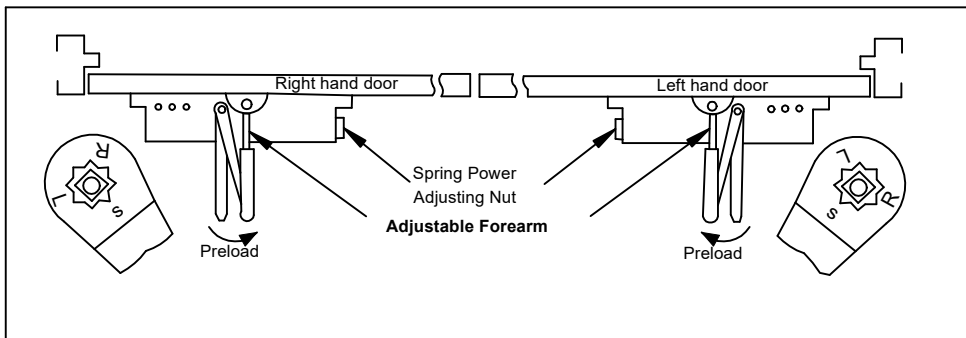
OPENING	DIM. A
TO 120°	7-3/32 (180mm)
120° - 180°	3-15/16 (100mm)

- Right hand door illustrated
- Left hand door opposite
- Dimensions are in inches (mm)
- Not to scale drawing

INSTALLATION INSTRUCTIONS

1. Select degree of opening from table and use template dimensions shown above. Mark Four (4) HOLES ON DOOR for closer and Two (2) HOLES ON FRAME for arm shoe.
2. Drill pilot holes in tap and frame for #14 all-purpose screws, or drill and tap for 1/4-20 machine screws.
3. Install adjustable forearm/arm shoe assembly to door frame using screws provided.
4. Install main arm to top pinion shaft using screw provided.
5. Mount closer body on door using screws provided. SPRING POWER ADJUSTING NUT MUST BE POSITIONED AWAY FROM HINGE EDGE.
6. Adjust length of adjustable forearm so that adjustable forearm is perpendicular to frame when assembled to preloaded main arm (illustration below). Secure forearm to main arm with screw provided.
7. Snap pinion cap over shaft at bottom of closer. (When using full cover, pinion cap is not necessary).
8. Adjust closing speed, backcheck control and spring power of door following instructions as shown on Page 1.

Top View Typical Installation



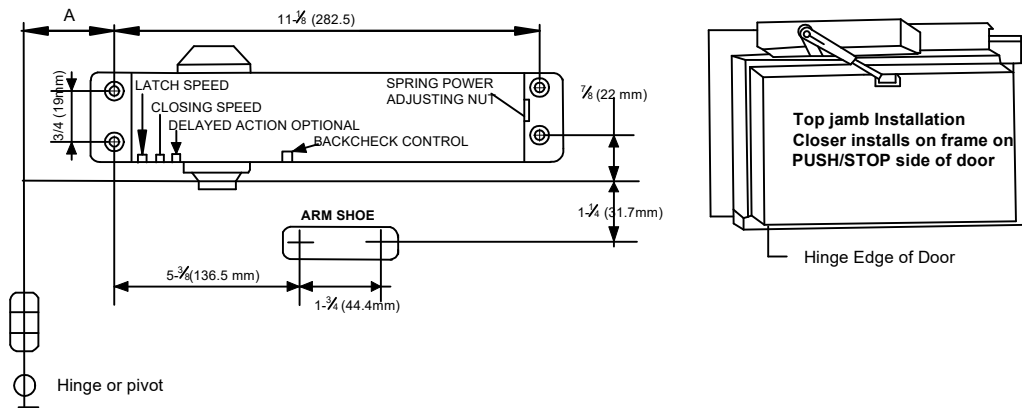
IMPROPER INSTALLATION MAY RESULT IN PERSONAL INJURY OR PROPERTY DAMAGE. FOLLOW ALL INSTRUCTIONS CAREFULLY.



C7000 Series Door Closer
Surface Mounted
Adjustable & Preset "Back Check"
Optional: Delayed Action (DA)
Non Hold-Open / Hold-Open

Installation Instructions for TOP JAMB (PUSH SIDE) Mounting

TECHNICAL DIMENSIONS:



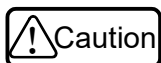
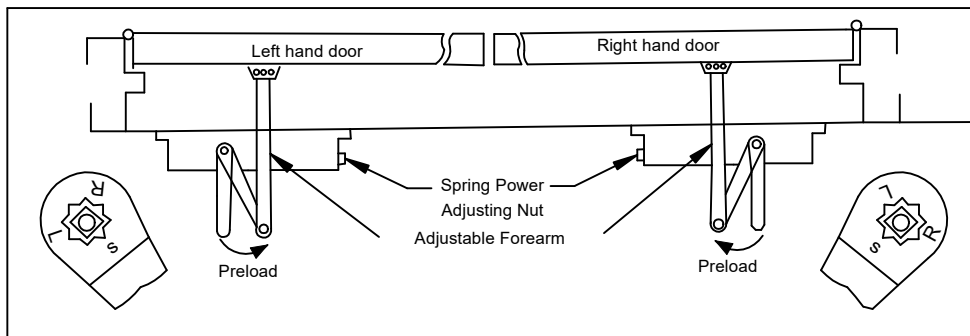
OPENING	DIM. A
TO 120°	7-3/32 (180mm)
120°- 180°	3-15/16 (100 mm)

- Right hand door illustrated
- Left hand door opposite
- Dimensions are in inches (mm)
- Not to scale drawing

INSTALLATION INSTRUCTIONS

1. Select degree of opening from table and use template dimensions shown in above. Mark four (4) HOLES ON FRAME for closer and Two(2) HOLES ON DOOR for arm shoe.
2. Drill pilot holes in door and frame for #14 all-purpose screws, or drill and tap for 1/4-20 machine screws.
3. Install adjustable forearm/arm shoe assembly to door using screws provided.
4. Install main arm to top pinion shaft using screw provided.
5. Mount closer body on frame using screws provided. SPRING POWER ADJUSTING NUT MUST BE POSITIONED AWAY FROM HINGE EDGE.
6. Adjust length of adjustable forearm so that adjustable forearm is perpendicular to door when assembled to preloaded main arm (Illustration below). Secure forearm to main arm with screw provided.
7. Snap pinion cap over shaft on top of closer. (When using full cover, pinion cap is not necessary).
8. Adjust closing speed, backcheck control and spring power of door following instructions as shown on page 1.

Top View Typical Installation



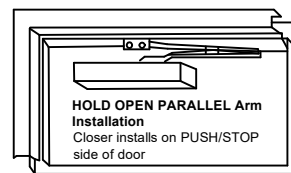
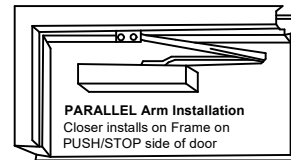
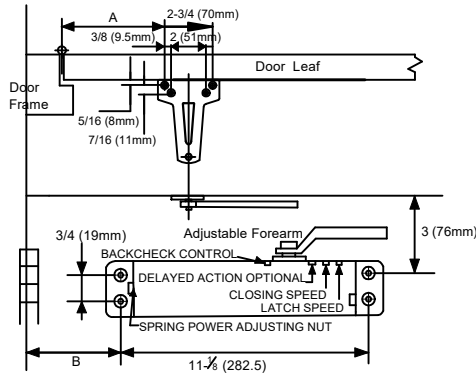
IMPROPER INSTALLATION MAY RESULT IN PERSONAL INJURY OR PROPERTY DAMAGE. FOLLOW ALL INSTRUCTIONS CAREFULLY.



C7000 Series Door Closer
Surface Mounted
Adjustable & Preset "Back Check"
Optional: Delayed Action (DA)
Non Hold-Open / Hold-Open

Installation Instructions for PARALLEL ARM (PUSH SIDE) Mounting

TECHNICAL DIMENSIONS:



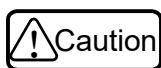
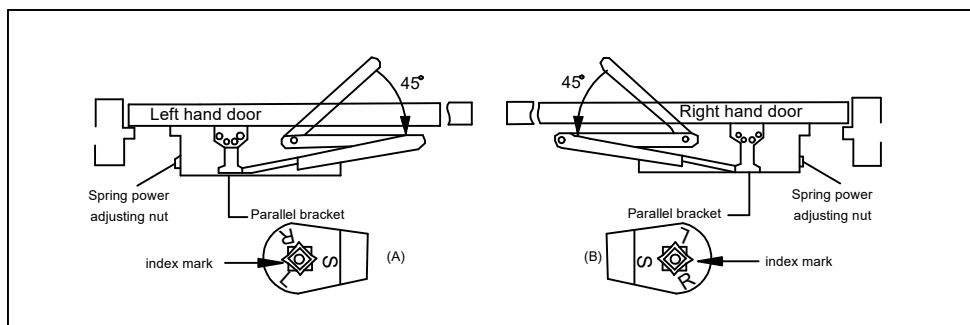
OPENING	DIM. A	DIM. B
TO 100°	9-1/8 (241mm)	6-1/8 (151mm)
120°- 180°	5-7/8 (149.2mm)	2-9/16 (65mm)

- Left hand door illustrated
- Right hand door opposite
- Dimensions are in inches (mm)
- Drawing not to scale

INSTALLATION INSTRUCTIONS

1. Select degree of opening from table and use template dimensions shown in above. Mark four (4) holes on door for door closer and four (4) holes underside of frame for bracket.
2. Drill pilot holes in door and frame for #14 all-purpose screws or drill and tap for 1/4-20 machine screws.
3. Mount closer on door using screws provided. SPRING POWER ADJUSTING NUT MUST BE POSITIONED TOWARDS HINGE EDGE.
4. Install Parallel Arm Bracket to frame using screws provided.
5. Using a wrench on the square shaft at bottom of closer, rotate shaft approximately 45° towards hinge edge of door. Hold and place main arm of shaft on top of shaft on proper index mark as illustrated. FOR LEFT HAND DOOR "L" (illustrating "A"). FOR RIGHT HAND DOOR "R" (illustration "B"). Tighten arm screw with lock washer securely.
6. Remove arm shoe from the forearm and discard (arm shoe is not used for parallel installation), and tighten screw securely.
7. Adjust length of adjustable forearm so that adjustable forearm is parallel to frame.
8. Snap pinion cap over shaft at bottom closer. (When using full cover, pinion cap is not necessary).
9. Adjust closing speed, backcheck control and spring power of door following instructions shown on page 1.

Top View Typical Installation



IMPROPER INSTALLATION MAY RESULT IN PERSONAL INJURY OR PROPERTY DAMAGE. FOLLOW ALL INSTRUCTIONS CAREFULLY.