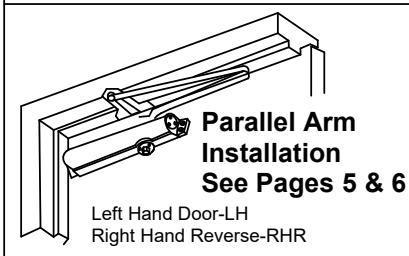
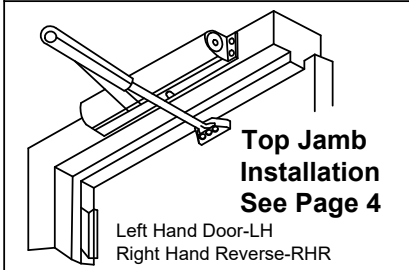
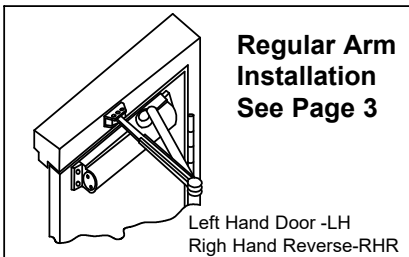




C6000 Series Door Closer
Surface Mounted
Adjustable & Preset "Back Check"
Optional: Delayed Action (DA)
Non Hold-Open / Hold-Open

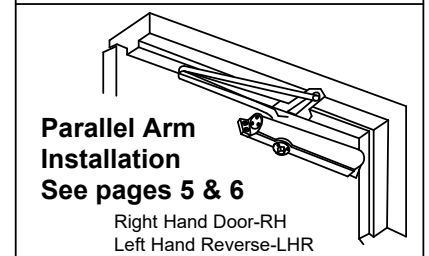
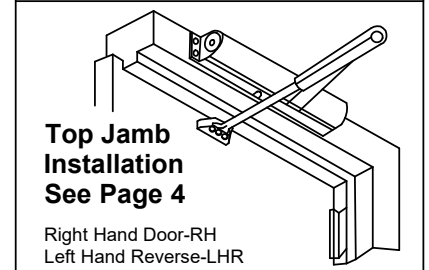
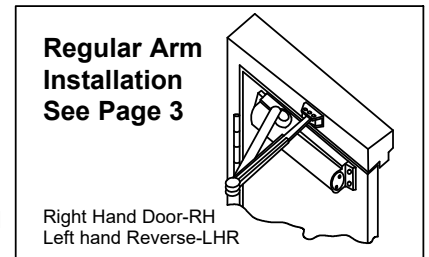
MODEL : C6000 ADJ 1-6 INSTALLATION INSTRUCTIONS



CAUTION An incorrectly installed or improperly adjusted door closer may cause property damage or personal injury. These installation instructions should be followed to avoid the possibility of misapplication or misadjusting.

NOTE: For special applications a separate door and frame preparation template is packed with these instructions. This instruction sheet should be used **ONLY** for installation sequence and closer adjustments.

- Doors should be hung on ball bearing or Anti-friction hinges.
- A separate door stop is recommended.
- Door and frame must be properly reinforced.
- Always adjust spring power before adjusting control.
- Adjust closing time speed between 3 and 7 seconds from 90 to 0°. Greater closing times may be required for elderly or handicapped.

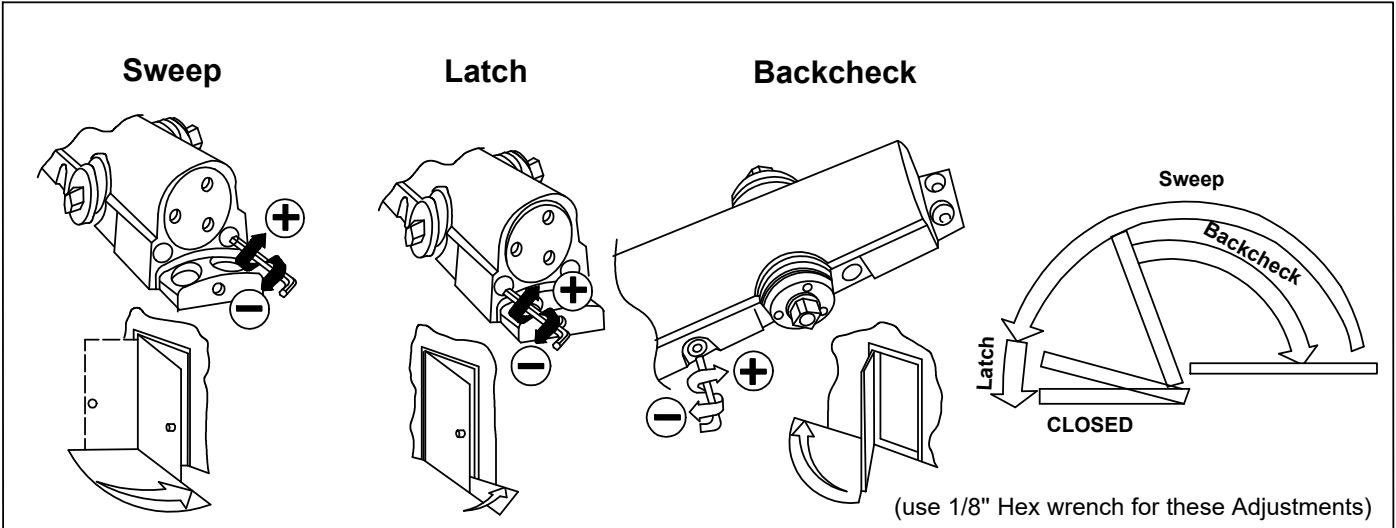


● Closer should NOT be installed on the exposed side (weather side) of exterior doors

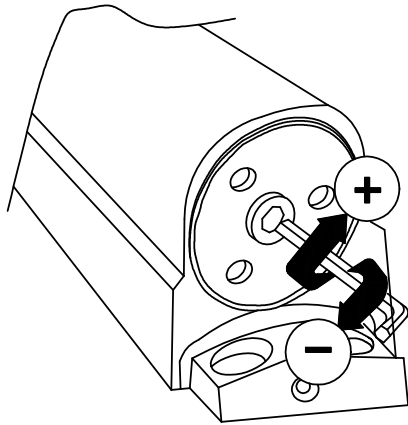
	<p>Metal</p> <p>#7 1/4-20</p>	<p>Wood</p> <p>3/16"</p>	<p>Self Drilling Screws Wood and Metal</p> <p>For wood drill 3/16 hole</p>	<p>(Optional)</p> <p>Sleeve Nut and Bolt</p> <p>Drill 9/32 thru from closer side 3/8 Drill other side Thru Bolt and Grommet Nut</p>
	<p>Machine Screws</p> <p>#7Drill. 1/4-20 Tap</p>	<p>Drill 9/32 thru from Closer Side 3/8 Drill other side</p>		



C6000 Series Door Closer
CLOSER ADJUSTMENT



SPRING POWER ADJUSTMENT



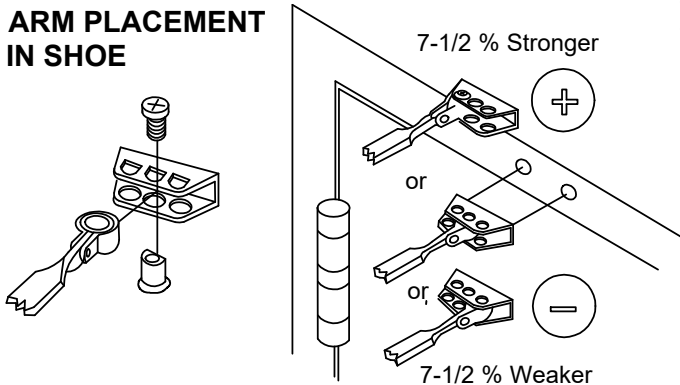
(Use 1/8 Hex Wrench for this Adjustment)

POWER ADJUSTMENT CHART

MAXIMUM DOOR WIDTH		FULL TURNS REQUIRED
EXTERIOR DOORS	INTERIOR DOORS	
—	—	5 TURNS C.C.W.
—	34"(864)	3 TURNS C.C.W.
30"(762)	38"(962)	0 TURNS
36"(914)	48"(1219)	5 TURNS C.W.
42"(1067)	54"(1372)	10 TURNS C.W.
48"(1291)	60"(1542)	15 TURNS C.W.

- 15 Full (360°) turns maximum available.
- Closer is factory pre-set at size.

ARM PLACEMENT IN SHOE





REGULAR ARM (PULL SIDE) MOUNTING

1 Parts

Optional Covers

2 Mark and Drill Holes

Right Hand Shown

Opening	Dimension A	Inches (mm)
To 100°	7-1/2 (191)	
101° to 130°	6 (152)	
131° to *180°	4-1/2 (114)	

* Door/Wall/Hardware/Jamb conditions permitting

3 Installation Sequence

Spring power Adjust

4 Sweep

5 Latch

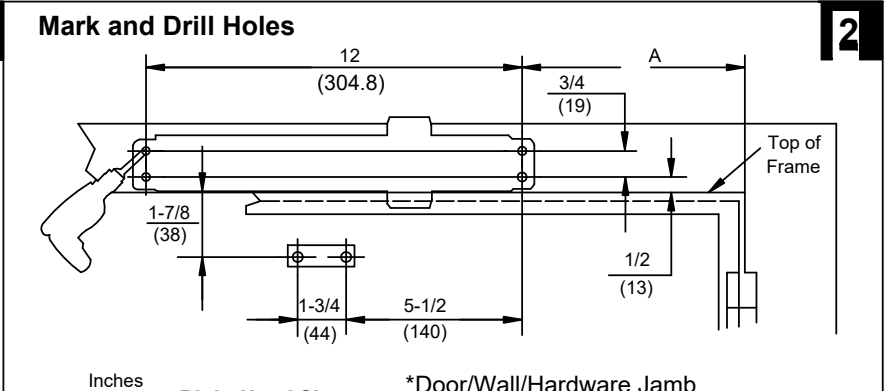
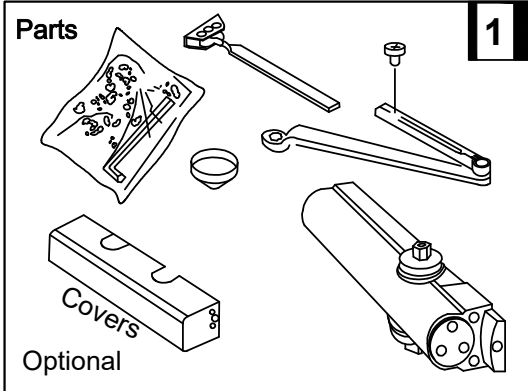
6 Backcheck

Caution: Don't completely close valve

7 Pinion Cap or Optional Cover

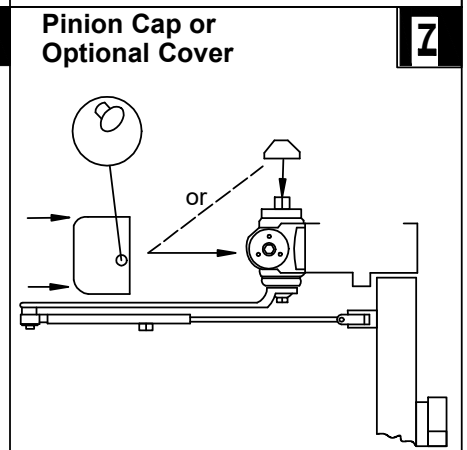
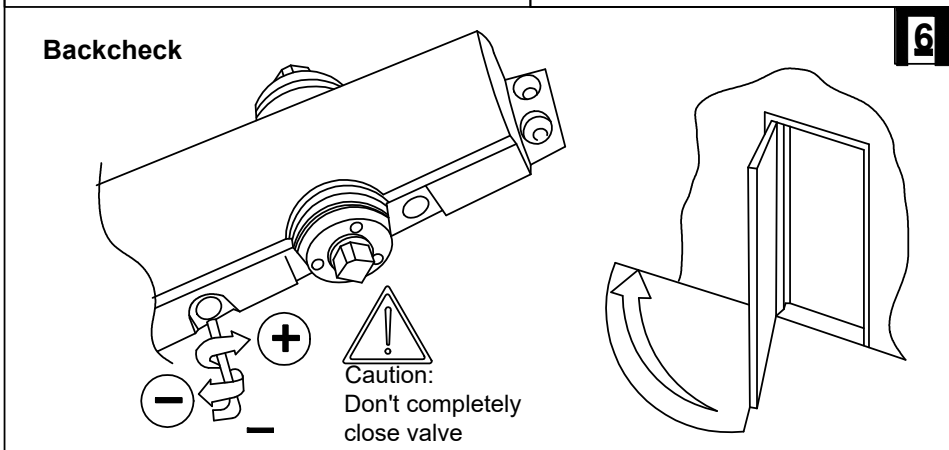
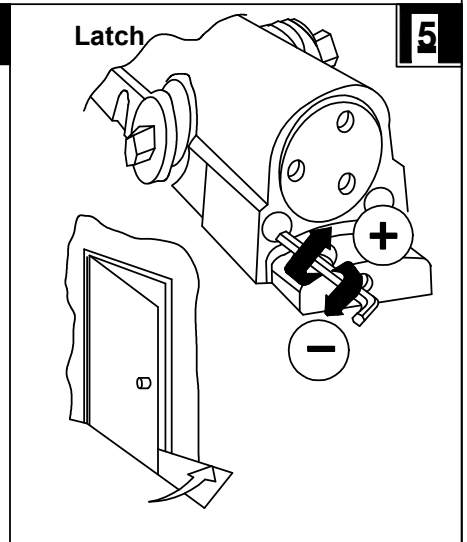
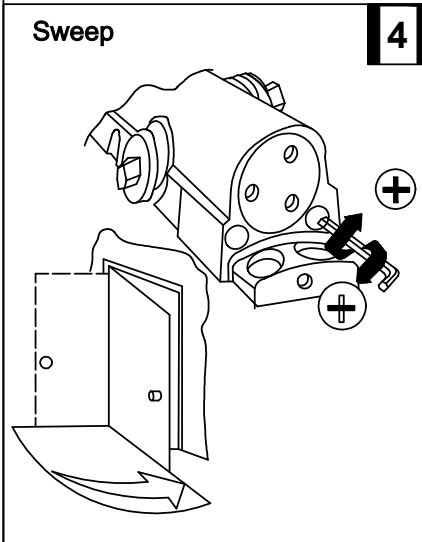
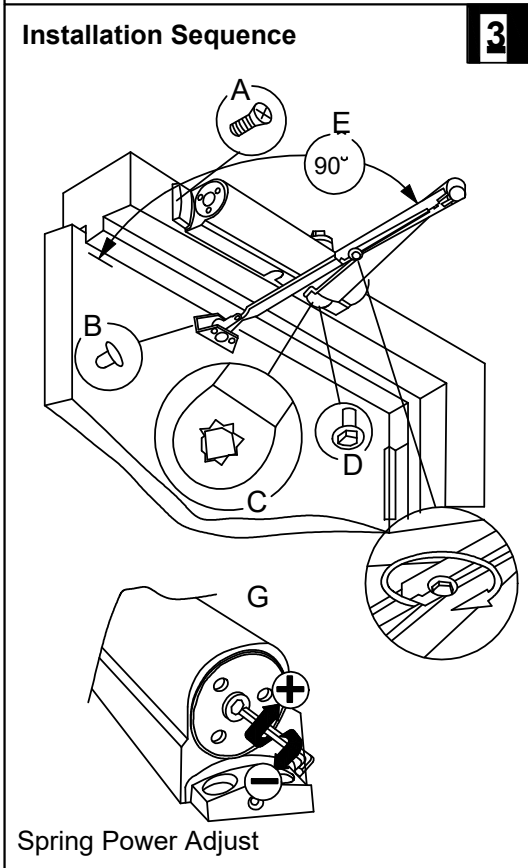
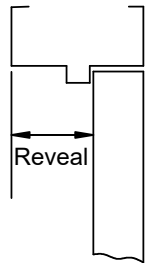


TOP JAMB (PUSH SIDE) MOUNTING



Opening	Dimension "A"
To 100°	7-1/2 (191)
101° to 130°	6 (152)
131° to 180°	4-1/2 (114)

A longer connecting rod is required for reveals greater than 4" (101.6).





PARALLEL ARM (PULL SIDE) MOUNTING,

Part -I

1 **Parts**

Covers
Optional

2 **Mark and Drill Holes**

Top of Door
Frame

Right Hand Shown

Door Opening	A \varnothing	B \varnothing
To 120°	9-1/2 (241)	3-3/4 (95)
*121to*180°	7 (178)	1-1/4 (32)

*Door/Wall/Hardware/Jamb conditions permitting

3 **Installation Sequence**

4 **Close Valves**

Sweep
Latch

5 **Install Closer and Bracket**

6 **Preload Closer**

Place Arm on Spindle
Rotate
Remove Arm from Spindle

PARALLEL ARM (PULL SIDE) MOUNTING,

Part -II

<p>7</p> <p>Right Hnad Door Flat OR Left Hnad Door Flat</p> <p>A B</p>	<p>8 Open Valves</p> <p>Sweep Latch</p> <p>Caution: Don't remove valves</p>	<p>9 Assemble Arm</p>
<p>10 Arm Screw</p> <p>1-1/2 (38)</p>	<p>11 Spring Power Adjust</p>	<p>12 Sweep</p>
<p>13 Latch</p>	<p>14 Backcheck</p> <p>Caution: Don't completely close valves</p>	<p>15 Pinion Cap or Optional Cover</p> <p>(2)</p>